

Specifications:

Installation:	Freestanding
Exterior Dimensions:	53 1/8" w x 29 1/2" d x 29 1/2" h
Material:	Solid surface
Water capacity:	84 gal.
Weight:	331 lbs.
Overflow:	Yes
Finishes:	001M- Matte white 001G- Gloss White

Freight: Class 5



Features:

- Solid surface soaking tub with overflow
- TUB-ST stepping block in M- Matte white and G- Gloss white
- Includes brass click-clack drain assembly with decorative solid surface dome
- Freestanding installation

Codes + Standards:

- Meets or exceeds applicable national codes and standards

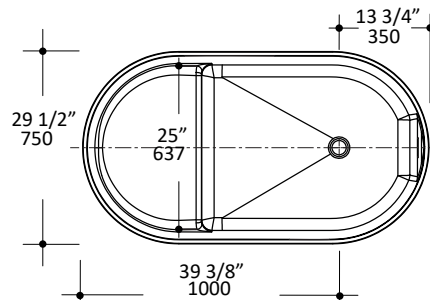
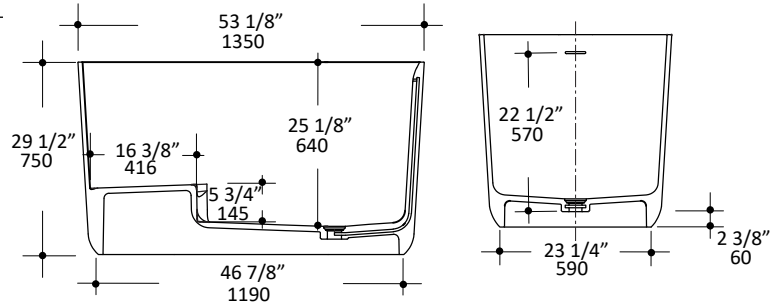
Recommended Items:

- Furniture
 - TUB-BR01 tub bridge in wood
 - TUB-BR02 tub bridge in wood
 - TUB-BR03 tub bridge in solid surface
 - TUB-BR04 tub bridge in metal
- Trap connections
 - TBSH90 - L-shaped 90 degree brass tub shoe
 - TBSH180 - Straight down 180 degree brass tub shoe

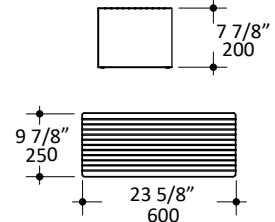
Care + Maintenance:

- To prevent damage to the solid surface material, hot objects and open flame should not be placed in direct contact with the surface

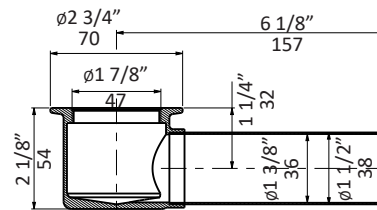
[Click Here](#) to find out more about proper care and maintenance



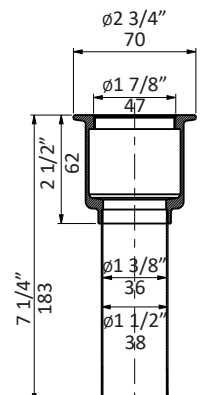
TUB-ST



TBSH90



TBSH180



LACAVA reserves the right to revise any dimension or information on this sheet without notice. Dimensions are nominal and may vary within an industry accepted tolerance of 1/4".

Drawings provided herein are meant to give the user an idea of the product and are not made to scale.
Revised: 9/18/2023