

LACAVA

ELEGANZA TUB14

SPECIFICATIONS:

INSTALLATION:	FREESTANDING
EXTERIOR DIMENSIONS:	63" × 31-3/4" × 21-5/8"
INTERIOR DIMENSIONS:	REFER TO DRAWING
DEPTH TO OVERFLOW:	14"
DRAIN HOLE DIAMETER:	2"
BACK ANGLE:	NON-LINEAR, AVG. 70°
MATERIAL:	SOLID SURFACE
OVERFLOW:	YES
FINISHES:	001M - MATTE WHITE 001G - GLOSS WHITE MB - MATTE BLACK
WATER CAPACITY:	73 GALLONS
WEIGHT:	298 LBS
FREIGHT CLASS:	CLASS 5



FEATURES:

- FREESTANDING SOAKING BATHTUB WITH OVERFLOW
- FULL SOLID SURFACE CONSTRUCTION
- BRASS CLICK-CLACK DRAIN ASSEMBLY WITH DECORATIVE SOLID SURFACE DOME INCLUDED
- NON-LINEAR BACK REST, AVG. ANGLE 70°
- SEE TECHNICAL DOCUMENTS FOR DETAIL DIMENSIONS

CODES AND STANDARDS:

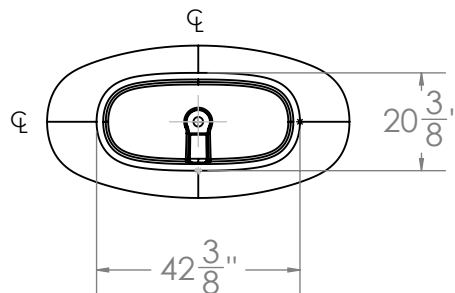
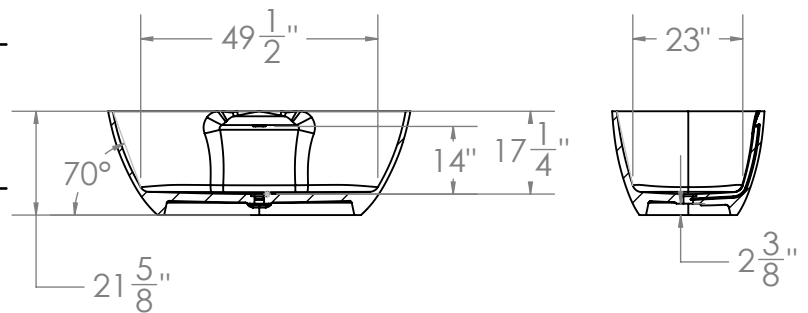
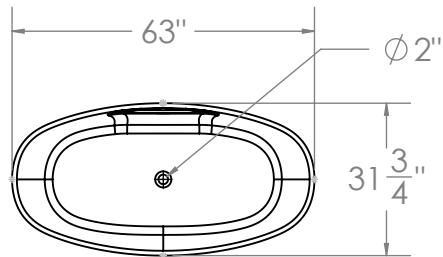
- MEETS AND EXCEEDS APPLICABLE NATIONAL CODES AND STANDARDS

COMPANION PRODUCTS:

- TUB-BR01 - WOODEN TUB BRIDGE
- TUB-BR02 - WOODEN TUB BRIDGE
- TUB-BR03 - SOLID SURFACE TUB BRIDGE
- TUB-BR04 - METAL TUB BRIDGE
- TUB-BRT - METAL BACKREST PIECE
- TBSH90 - BRASS 90° L-SHAPED TUB SHOE
- TBSH180 - BRASS STRAIGHT TUB SHOE

CARE AND MAINTENANCE:

- TO PREVENT DAMAGE TO SOLID SURFACE PRODUCTS KEEP HOT OBJECTS AND OPEN FLAMES (INCLUDING CURLING IRONS AND CANDLES) AWAY.
- [CLICK HERE](#) FOR MORE INFO AND CARE INSTRUCTIONS.



LACAVA reserves the right to revise any dimension or information on this sheet without notice. Dimensions are nominal and may vary within an industry accepted tolerance of 1/4". Cabinets with "vanity top" sinks are made to the matching sink and dimensions may vary. LACAVA is not responsible for any cutouts, countertops or furniture made without the actual product or template. Differences in color, grain, appearance, and texture are inherent in all natural woodwork and should be expected. Variances in these qualities are not deemed manufacturing defects and will not be accepted as valid reasons for return or exchanges. Plumbing specifications are only a guideline and may need alteration based on application.