

Specifications:

| | |
|-----------------------|--|
| Installation: | Wall hung |
| Dimensions: | 14" w x 21 5/8" d x 16" h |
| Material: | Porcelain |
| Flush System: | Concealed in-wall dual flush |
| Waste Outlet: | Wall |
| Bowl Shape: | Oval |
| Trap Diameter: | 2 7/8" ID, 3 7/8" OD |
| Water Use: | 1.0 gpf |
| Weight: | 50 lbs |
| Finishes: | 001 - White |
| Includes: | Support brackets for wall-hung toilets 111.847.00.1 with small contact surfaces (thin profiles) Must be installed on the carrier before wall is closed |



Features:

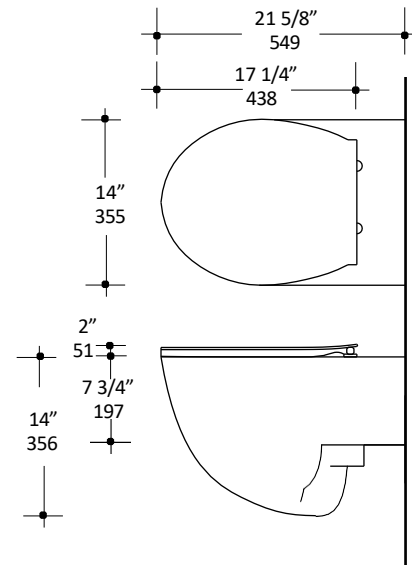
- Porcelain toilet with composite seat cover
- Requires concealed flushing system and flush actuator (sold separately)
- Soft closing seat and seat cover with LED light is included
- Easy-clean porcelain finish
- Weight limit for wall hung: 882 lbs.
- Low consumption dual flush system - effective flush volume: 1.0 gpf
- MaP performance (Miso Rating): 1000g miso

Codes + Standards:

- Meets and exceeds applicable national codes and standards
- CAL-Green compliant
- CEC compliant

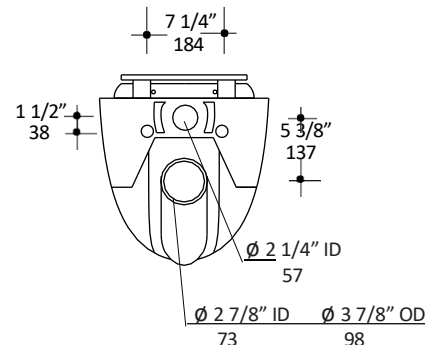
ADA

compliant when installed to specific requirements of this regulation



Required Items:

- GE111335005: Geberit in-wall tank & carrier system
- Compatible with carrier 111.798.00
- GE115770: Geberit Sigma10 dual-flush actuator or
- GE115778: Geberit Sigma20 dual-flush actuator or
- GE115788: Geberit Sigma50 dual-flush actuator



Recommended Items:

- 6058CW.01 - Replacement seat cover with LED light
- 2959: Wood box for in-wall tank and carrier.
-Available in all Lacava wood finishes

LACAVA reserves the right to revise any dimension or information on this sheet without notice. Dimensions are nominal and may vary within an industry accepted tolerance of 1/4". Drawings provided herein are meant to give the user an idea of the product and are not made to scale.

Revised: 1/6/26