

Specifications:

Installation:	Freestanding
Dimensions:	15" w x 28" d x 30 7/8" h
Material:	Porcelain
Flush System:	Single-flush
Waste Outlet:	Floor
Bowl Shape:	Oval
Trap Diameter:	1 7/8" ID, 3" OD
Water Use:	1.0 gpf
Weight:	104 lbs
Finishes:	001 - White



Features:

- ULTRAGLOSS finish for easy-cleaning, stain and odor resistant
- Porcelain elongated one-piece toilet with composite seat cover
- Soft-closing seat cover, tank, and bolts are included
- Installs on a standard toilet flange with 6" bolt distance
- Glazed internal trapway
- MaP performance (Miso Rating): 1000g miso

Codes + Standards:

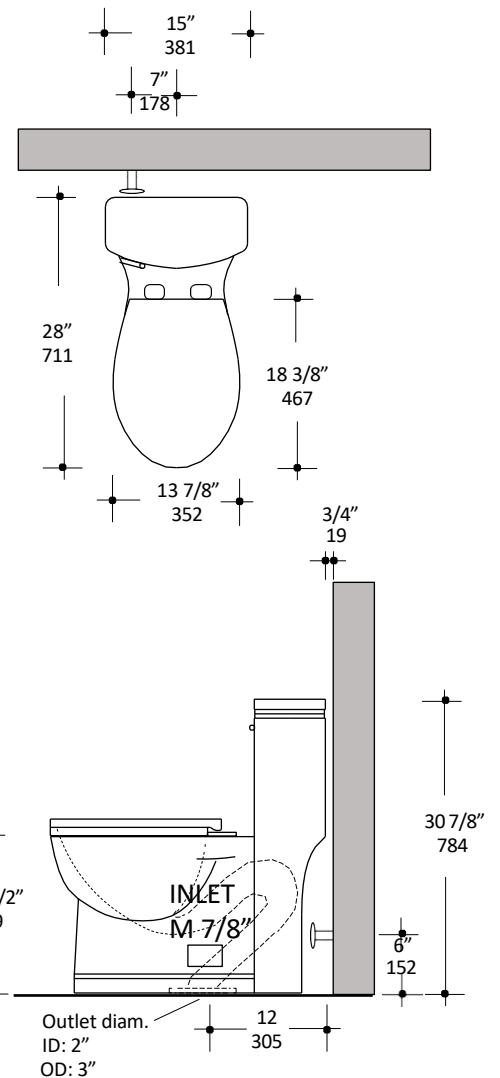
- Meets and exceeds applicable national codes and standards
- CAL-Green compliant
- CEC compliant

ADA compliant when installed to specific requirements of this regulation



Recommended Items:

- H258CW: Replacement seat cover
- H258-FV: Replacement flush/fill valve and lever kit



LACAVA reserves the right to revise any dimension or information on this sheet without notice. Dimensions are nominal and may vary within an industry accepted tolerance of 1/4". Drawings provided herein are meant to give the user an idea of the product and are not made to scale.

Revised: 1/6/26