

Features:

- Hand shower wall union with square backplate
- Brass construction
- Shower head and hook sold separately
- Weight: 0.2 lbs.

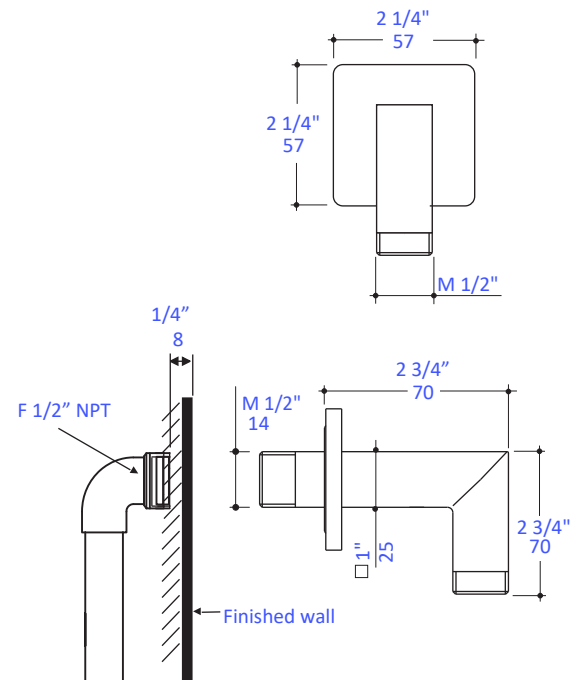
Finish Options:

- CR - Polished Chrome



Codes + Standards:

- Meets and exceeds applicable national codes and standards



Recommended Accessories:

- Item #2060: Hand-held shower head with 59" flexible hose
- Item #W1463: Wall-mount hook for hand-held shower head, rotates 360 degrees
- Item #2070: Wall-mount shower rail

LACAVA reserves the right to revise any dimension or information on this sheet without notice. Dimensions are nominal and may vary within an industry accepted tolerance of 1/4". Drawings provided herein are meant to give the user an idea of the product and are not made to scale. Location of plumbing is meant for reference, your specific application may vary.

Revised: 3/30/2026