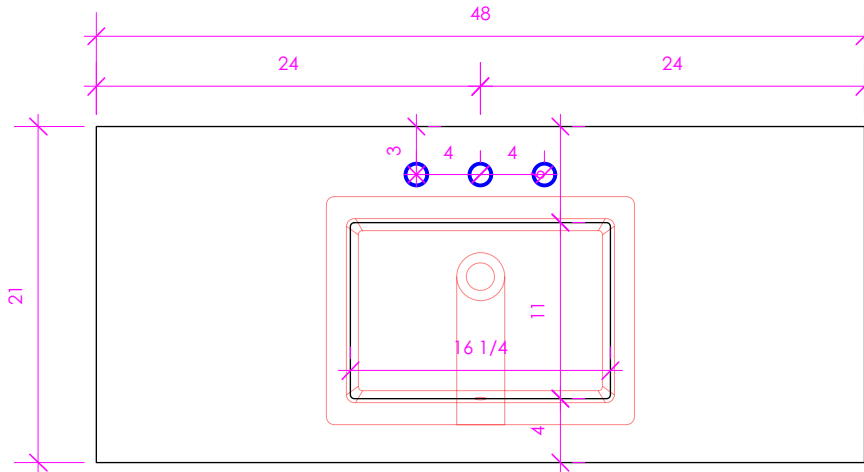


# LACAVA

## STILE

STL-48T



### FEATURES:

- EASED EDGES
- USED WITH 5452UN SINK (SOLD SEPARATELY)
- PLEASE SPECIFY FAUCET HOLE CUTOUTS
- PROUDLY HANDMADE IN THE USA

### FINISHES:

#### WOOD:

##### STANDARD:

- 02 - NATURAL CHERRY
- 07 - NATURAL WALNUT
- 24 - CLASSIC WALNUT
- 20 - ASH GRAY
- 06 - WENGE
- 33 - AFRICAN MAHOAGANY

##### PREMIUM:

- 22 - GRAY ZEBRA
- 31 - WHITE OAK
- 27 - RUSTIC
- 47 - SMOKY WALNUT

##### LUXURY:

- 37 - WEATHERED OAK
- 52 - SILVER OAK
- 50 - HORIZON BLUE

- 46 - DRIFTWOOD
- \*NEWTERRA ONLY\*

- 08 - MATTE WHITE
- 35 - MATTE ARDESIA
- 54 - MATTE TAUPE
- 16 - MATTE BLACK

- 85 - GLOSS WHITE
- 88 - GLOSS ARDESIA
- 84 - GLOSS TAUPE
- 86 - GLOSS BLACK

- 08T1 - WHITE W/ TEXTURE
- 35T1 - ARDESIA W/ TEXTURE
- 54T1 - TAUPE W/ TEXTURE
- 16T1 - BLACK W/ TEXTURE

#### COUNTERTOP:

##### STONE:

- WH - BIANCO
- LN - LINAC
- SL - ATHENS

2CM OR 3CM  
BASED ON  
MARKET  
AVAILABILITY

##### QUARTZ:

- PR - PURO
- AH - ASH

2CM OR 3CM  
BASED ON  
MARKET  
AVAILABILITY

##### SOLID SURFACE:

- M - SATIN WHITE
- G - POLISHED WHITE
- R - MARMO
- V - LAVA
- D - OBSIDIAN

1" THICKNESS

##### CONCRETE:

- SND - SAND
- SLT - SLATE
- TER - TERRACOTTA
- CHL - CHARCOAL

#### METALS:

##### METAL:

- 21 - BRUSHED STAINLESS STEEL
- 10 - POLISHED STAINLESS STEEL

- 44 - MATTE BLACK
- MW - MATTE WHITE
- BPW - BRASS POWDER COAT

LACAVA reserves the right to revise any dimension or information on this sheet without notice. Dimensions are nominal and may vary within an industry accepted tolerance of 1/4". Cabinets with 'vanity top' sinks are made to the matching sink and dimensions may vary. LACAVA is not responsible for any cutouts, countertops, or furniture made without the actual product or template. Differences in color, grain, appearance, and texture are inherent in all natural woodwork and should be expected. Variances in these qualities are not deemed manufacturing defects and will not be accepted as valid reasons for return or exchanges. Plumbing specifications are only a guideline and may need alteration based on application.

6630 WEST WRIGHTWOOD  
CHICAGO, IL 60707

PH: 773-637-9600  
FAX: 773-637-9601

LACAVA.COM  
INFO@LACAVA.COM