

### Features:

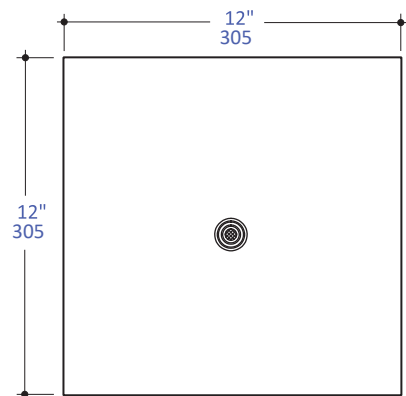
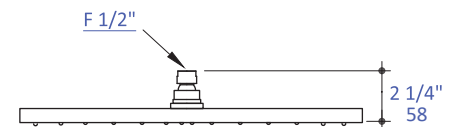
- Tilting square rain shower head
- Brass construction with 121 rubber nozzles
- Ceiling-mounted installation recommended
- Arm and flange sold separately
- Weight: 5.5 lbs.
- Outfitted with a 1.75GPM flow regulator, with backflow prevention, Max. flow rate: 1.8GPM

### Finish Options:

- CR - Polished Chrome
- PN - Polished Nickel
- NI - Brushed Nickel
- BG - Brushed Gold
- 44 - Matte Black

### Codes + Standards:

- Meets and exceeds applicable national codes
- Meets Cal-green requirement
- Complies with CEC standard



### Recommended Accessories:

- Item #W1069: Ceiling-mount square shower arm with flange
- Item #14TH1.L.S: Built-in thermostatic valve with volume
- Item #14TH2.L.S: Built-in thermostatic valve with 2-way diverter and OFF
- Item #14TH3.L.S: Built-in thermostatic valve with 3-way diverter and OFF

LACAVA reserves the right to revise any dimension or information on this sheet without notice. Dimensions are nominal and may vary within an industry accepted tolerance of 1/4". Drawings provided herein are meant to give the user an idea of the product and are not made to scale. Location of plumbing is meant for reference, your specific application may vary.

Revised: 4/14/2022