

### Features:

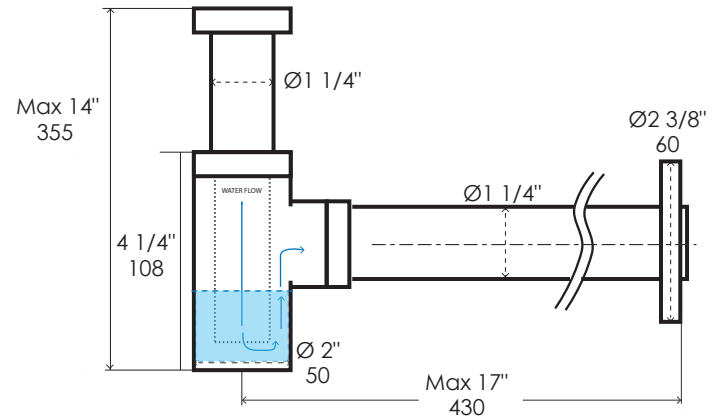
---

- Design bottle trap assembly
- Brass construction
- Works with American or European drain sizes
- Bottom panel unscrews to allow for easy cleaning
- Weight: 2 lbs

### Finish Options:

---

- CR - Polished Chrome
- PN - Polished Nickel
- NI - Brushed Nickel
- BG - Brushed Gold
- 44 - Matte Black



### Codes + Standards:

---

- Meets and exceeds applicable national codes and standards

LACAVA reserves the right to revise any dimension or information on this sheet without notice. Dimensions are nominal and may vary within an industry accepted tolerance of 1/4". Drawings provided herein are meant to give the user an idea of the product and are not made to scale. Location of plumbing is meant for reference, your specific application may vary.

Revised: 04/09/2021