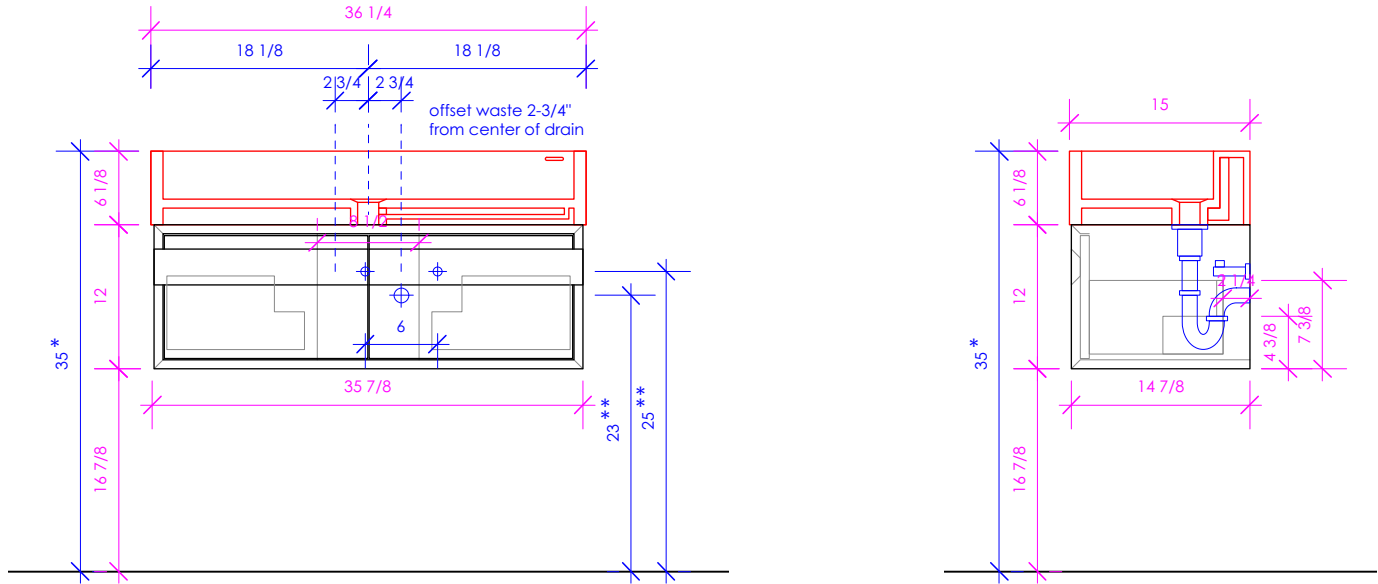


LACAVA

LUCE

LUC-W-36



* Recommended installation height
 ** Recommended plumbing location

FEATURES:

- WALL MOUNT VANITY
- TWO DRAWERS WITH SOFT-CLOSE GLIDES
- DRAWER BOXES STAINED TO REFLECT EXTERIOR FINISH
- MITER DETAILING ON EDGES AND DRAWER PULL
- USED WITH 5103 SINK (SOLD SEPARATELY)
- MOUNTING: FULL WOOD BACKING
(SEE FURNITURE MANUAL)
- PROUDLY HANDMADE IN THE USA
- MANUFACTURED WITH LOW VOC FINISHES AND WOOD FROM RENEWABLE FORESTS

FINISHES:

WOOD:

STANDARD:

02 - NATURAL CHERRY
 07 - NATURAL WALNUT
 24 - CLASSIC WALNUT
 20 - ASH GRAY
 06 - WENGE

PREMIUM:

31 - WHITE OAK
 47 - SMOKY WALNUT
 08 - MATTE WHITE
 16 - MATTE BLACK
 35 - MATTE ARDESIA
 54 - MATTE TAUPE
 42 - MATTE OLIVE GREEN
 39 - MATTE SAGE
 28 - MATTE AZURE
 29 - MATTE CLOUD

LUXURY:

50 - HORIZON BLUE
 52 - SILVER OAK
 37 - WEATHERED OAK
 85 - GLOSS WHITE
 86 - GLOSS BLACK

46 - DRIFTWOOD
 NEWTERRA ONLY

METALS:

METAL:

21 - BRUSHED STAINLESS STEEL
 10 - POLISHED STAINLESS STEEL
 44 - MATTE BLACK
 MW - MATTE WHITE
 BPW - BRASS POWDER COAT
 SA - SIENNA

COUNTERTOP:

STONE:

WH - BIANCO
 LN - LINAC
 AN - ATENA

QUARTZ:

PR - PURO
 AH - ASH
 CT - CRETA
 VN - VENA
 DN - DUNE
 NR - NERO

SOLID SURFACE:

M - SATIN WHITE
 G - POLISHED WHITE
 R - MARMO
 V - LAVA
 D - OBSIDIAN
 C - CREMA

CONCRETE:

SND - SAND
 SLT - SLATE
 SUN - SUN
 CLY - CLAY
 LIL - LILAC
 MOS - MOSS
 AQUA - AQUA

BRK - BRICK
 MAH - MATCHA
 GAL - GALAXY
 TER - TERRACOTTA
 CHL - CHARCOAL
 FOR - FOREST
 BST - BASALTO

LACAVA reserves the right to revise any dimension or information on this sheet without notice. Dimensions are nominal and may vary within an industry accepted tolerance of 1/4". Cabinets with 'vanity top' sinks are made to the matching sink and dimensions may vary. LACAVA is not responsible for any cutouts, countertops, or furniture made without the actual product or template. Differences in color, grain, appearance, and texture are inherent in all natural woodwork and should be expected. Variances in these qualities are not deemed manufacturing defects and will not be accepted as valid reasons for return or exchanges. Plumbing specifications are only a guideline and may need alteration based on application.

6630 WEST WRIGHTWOOD
 CHICAGO, IL 60707

PH: 773-637-9600
 FAX: 773-637-9601

LACAVA.COM
 INFO@LACAVA.COM