

Specifications:

Installation:	vanity-top
Exterior Dimensions:	72 1/2" w x 19" d x 6 5/8" h
Material:	Solid surface
Weight:	80 lbs
Overflow:	Yes
Finishes:	M - Matte white G - Gloss white
Faucet Holes:	N/A
Drain Hole Size:	Ø 1 3/4"
Cutout size:	63" x 16" (template available upon request)



Features:

- Stain, scratch, chemical, impact resistant
- Optional backsplash available

Codes + Standards:

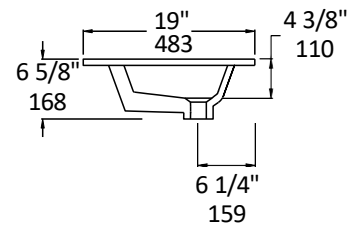
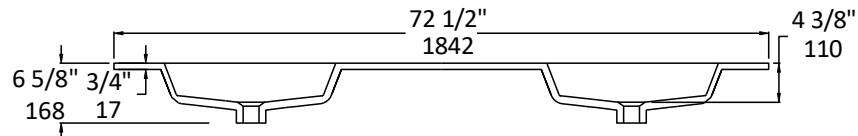
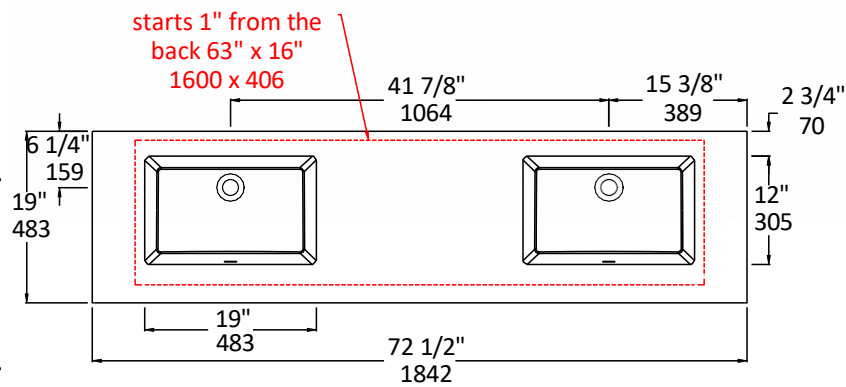
- Meets and exceeds applicable national codes and standards

ADA

compliant when installed to specific requirements of this regulation

Recommended Items:

- BKS - 6" Backsplash G - gloss, M - matte
 - Furniture for K72S 19" deep sink (not suitable for deck-mount faucet)
 - KBT-ADA-72S - Wall-mount vanity with 4 doors & center cubbies
- European drain with overflow
 - 7100-12
 - 7100-16OF
 - 7100-13OF



Care + Maintenance:

- To prevent damage to the solid surface material, hot objects and open flame should not be placed in direct contact with the surface

[Click Here](#) to find out more about proper care and maintenance