

### Specifications:

<b>Installation:</b>	vanity-top
<b>Exterior Dimensions:</b>	72 1/2" w x 22" d x 6 5/8" h
<b>Material:</b>	Solid surface
<b>Weight:</b>	80 lbs
<b>Overflow:</b>	Yes
<b>Finishes:</b>	M - Matte white G - Gloss white
<b>Faucet Holes:</b>	00 - no hole 01 - one centered hole 02 - two hole - center and right, 4" spread 03 - three hole, 8" spread
<b>Faucet Hole Size:</b>	Ø 1 3/8"
<b>Drain Hole Size:</b>	Ø 1 3/4"
<b>Cutout size:</b>	63" x 19" (template available upon request)



### Features:

- Stain, scratch, chemical, impact resistant
- Optional backsplash available

### Codes + Standards:

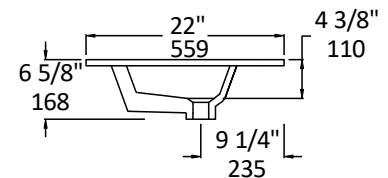
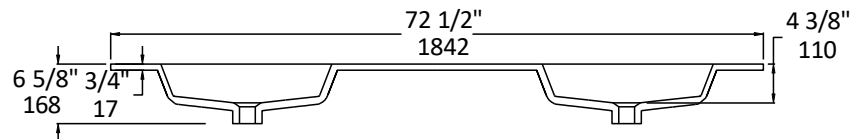
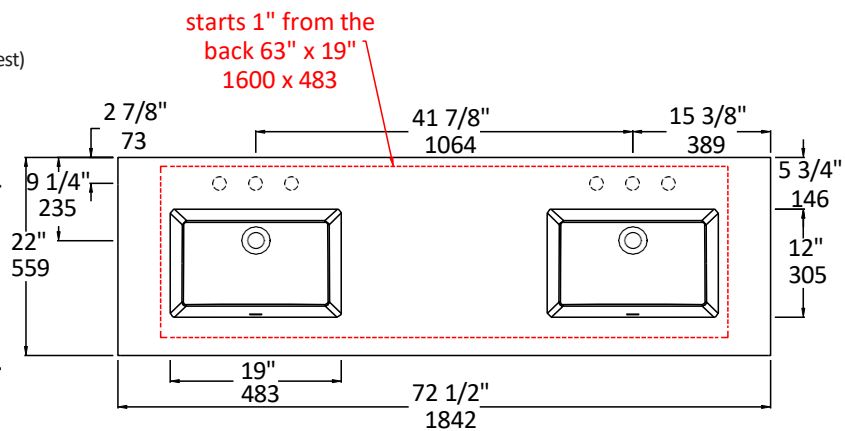
- Meets and exceeds applicable national codes and standards

**ADA**

compliant when installed to specific requirements of this regulation

### Recommended Items:

- BKS - 6" Backsplash G - gloss, M - matte
- Furniture for K72 22" deep sinktop
  - KBT-ADA-72 - Wall-mount vanity with 4 doors & center cubbies
  - KUB-W-72 - Floor-standing or wall mounted vanity with drawers
- European drain with overflow
  - 7100-12
  - 7100-16OF
  - 7100-13OF



### Care + Maintenance:

- To prevent damage to the solid surface material, hot objects and open flame should not be placed in direct contact with the surface

[Click Here](#) to find out more about proper care and maintenance

LACAVA reserves the right to revise any dimension or information on this sheet without notice. Dimensions are nominal and may vary within an industry accepted tolerance of 1/4". Drawings provided herein are meant to give the user an idea of the product and are not made to scale.

Revised: 12/31/25