

## Specifications:

|                             |   |
|-----------------------------|---|
| <b>Installation:</b>        | vanity-top  |
| <b>Exterior Dimensions:</b> | 48" w x 22" d x 6 1/4" h  |
| <b>Material:</b>            | Solid surface   |
| <b>Weight:</b>              | 62 lbs  |
| <b>Overflow:</b>            | Yes   |
| <b>Finishes:</b>            | M - Matte white<br>G - Gloss white  |
| <b>Faucet Holes:</b>        | 00 - no hole<br>01 - one centered hole<br>02 - two hole - center and right, 4" spread<br>03 - three hole, 8" spread |
| <b>Faucet Hole Size:</b>    | ∅ 1 3/8"  |
| <b>Drain Hole Size:</b>     | ∅ 1 3/4"  |
| <b>Cutout Size:</b>         | 46" x 19" (templates available upon request)  |



## Features:

- Stain, scratch, chemical, impact resistant
- Optional backsplash available

## Codes + Standards:

- Meets and exceeds applicable national codes and standards



compliant when installed to specific requirements of this regulation

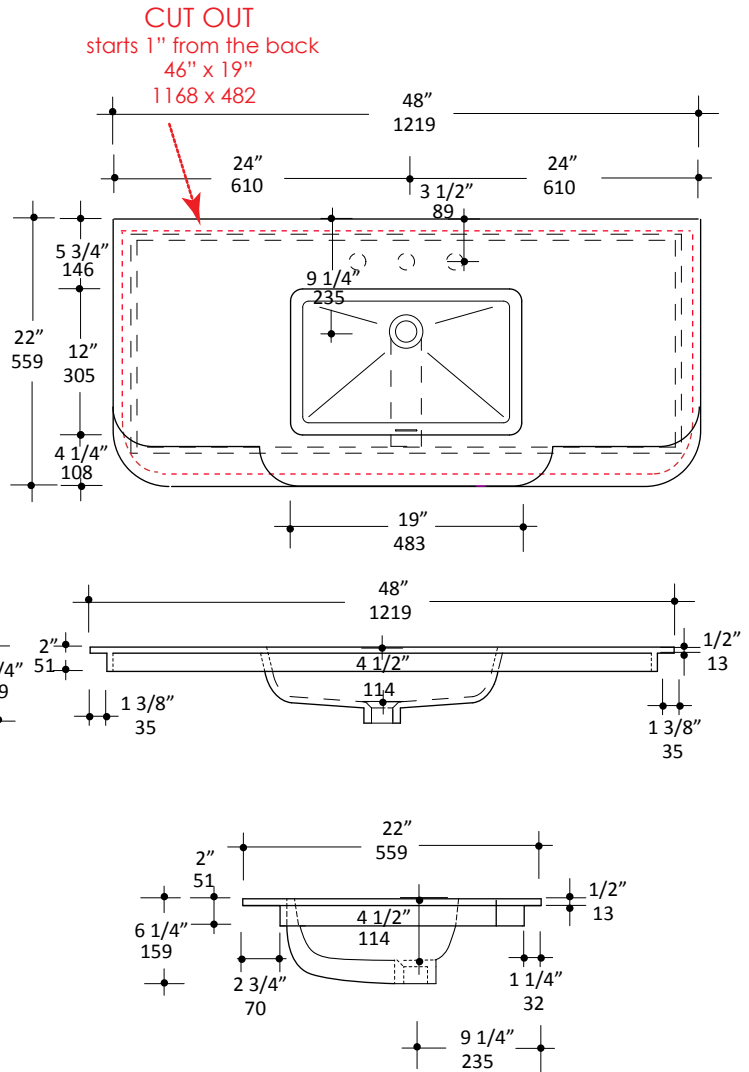
## Recommended Items:

- BKS - 6" Backsplash G - gloss, M - matte
- Furniture for K48-FLT 22" deep sinktop
  - FLT-W-48S - Floor-standing or wall mounted vanity with four drawers and optional legs
- Furniture for K48-ELE 22" deep sinktop
  - ELE-W-48 - Floor-standing or wall mounted vanity with five drawers and optional legs
- Drain with overflow
  - 7100-17
  - 7100-16OF
  - 7100-13OF

## Care + Maintenance:

To prevent damage to the solid surface material, hot objects and open flame should not be placed in direct contact with the surface

[Click Here](#) to find out more about proper care and maintenance



LACAVA reserves the right to revise any dimension or information on this sheet without notice. Dimensions are nominal and may vary within an industry accepted tolerance of 1/4". Drawings provided herein are meant to give the user an idea of the product and are not made to scale.

Revised: 12/16/2024