

Specifications:

Installation:	vanity-top
Exterior Dimensions:	24" w x 22" d x 6 1/4" h
Material:	Solid surface
Weight:	34 lbs
Overflow:	Yes
Finishes:	M - Matte white G - Gloss white
Faucet Holes:	00 - no hole 01 - one centered hole 02 - two hole - center and right, 4" spread 03 - three hole, 8" spread
Faucet Hole Size:	Ø 1 3/8"
Drain Hole Size:	Ø 1 3/4"
Cutout Size:	22" x 19" (template available upon request)



Features:

- Stain, scratch, chemical, impact resistant
- Optional backsplash available

Codes + Standards:

- Meets and exceeds applicable national codes and standards



compliant when installed to specific requirements of this regulation

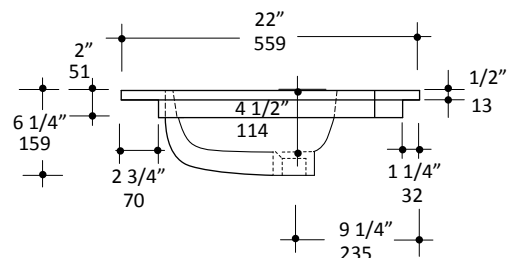
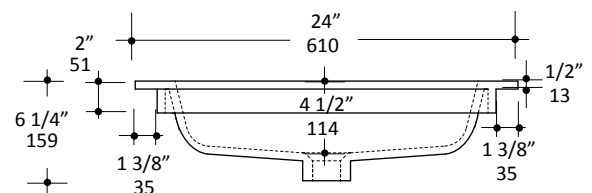
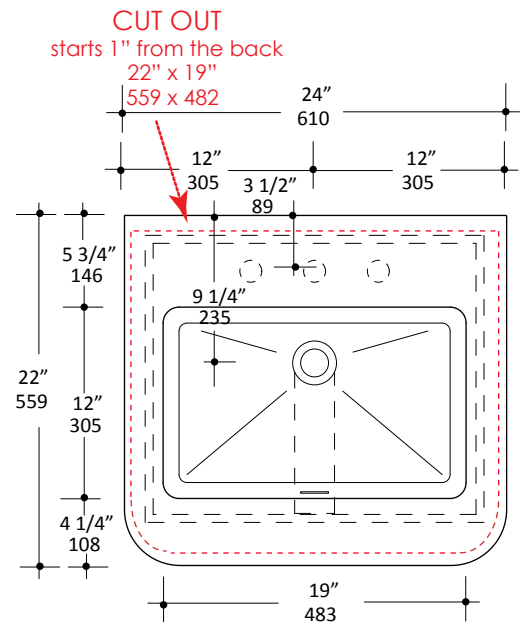
Recommended Items:

- BKS - 6" Backsplash G - gloss, M - matte
- Furniture for K24-FLT 22" deep sinktop
 - FLT-W-24 - Floor-standing or wall mounted vanity with two drawers and optional legs
- Furniture for K24-ELE 22" deep sinktop
 - ELE-W-24 - Floor-standing or wall mounted vanity with one drawer and optional legs
- Drain with overflow
 - 7100-17
 - 7100-16OF
 - 7100-13OF

Care + Maintenance:

To prevent damage to the solid surface material, hot objects and open flame should not be placed in direct contact with the surface

[Click Here](#) to find out more about proper care and maintenance



LACAVA reserves the right to revise any dimension or information on this sheet without notice. Dimensions are nominal and may vary within an industry accepted tolerance of 1/4".

Drawings provided herein are meant to give the user an idea of the product and are not made to scale.

Revised: 12/16/2024