

SPECIFICATIONS:

INSTALLATION:	DIRECT VANITY TOP
EXTERIOR DIMENSIONS:	24" × 21" × 2
INTERIOR DIMENSIONS:	19" × 13"
DEPTH TO OVERFLOW:	3"
DRAIN HOLE DIAMETER:	1-7/8"
FAUCET HOLES:	00 – NO HOLES 01 – 1 HOLE, CENTER 02 – 2 HOLE, 4" SPREAD, CENTER + RIGHT 03 – 3 HOLE, 8" SPREAD
MATERIAL:	SOLID SURFACE
OVERFLOW:	YES
FINISHES:	001M - MATTE WHITE 001G - GLOSS WHITE
WEIGHT:	36 LBS



FEATURES:

- VANITY-TOP INSTALLATION, REPLACES COUNTERTOP (VANITY BASE SHOULD ACCOUNT FOR OVERHANG)
- FULL SOLID SURFACE CONSTRUCTION WITH OVERFLOW
- DECORATIVE DRAIN COVER INCLUDED (NOT SHOWN)
- SEE TECHNICAL DOCUMENTS FOR DETAIL DIMENSIONS
- CUT-OUT TEMPLATE AVAILABLE UPON REQUEST

CODES AND STANDARDS:

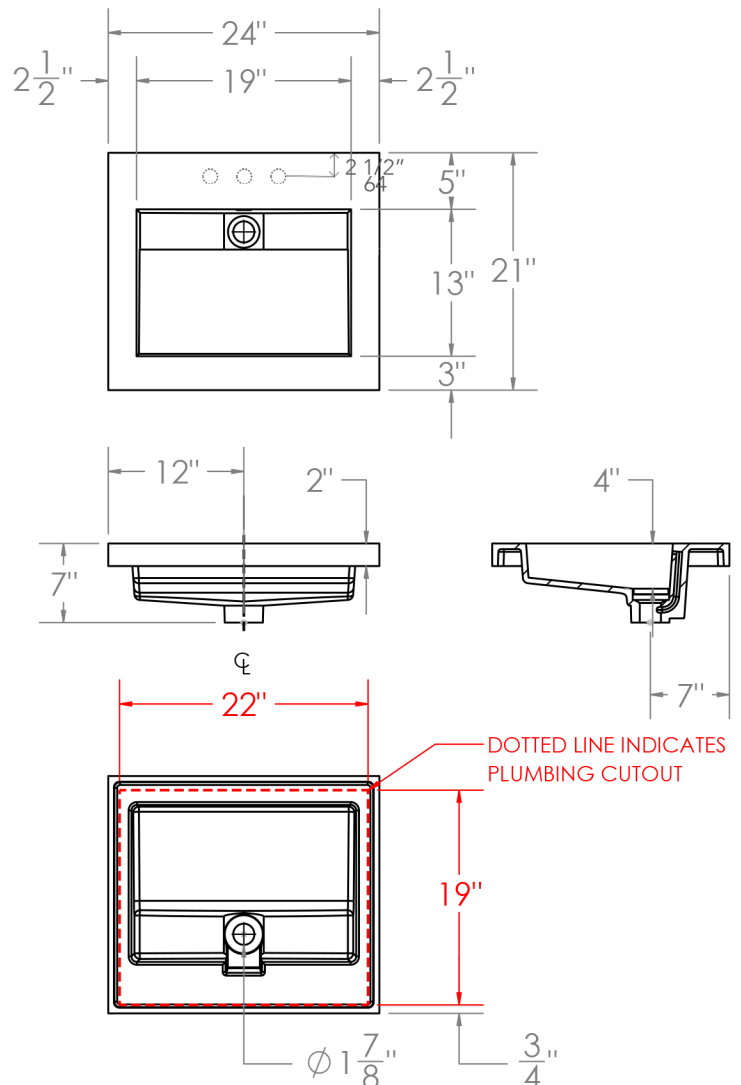
- MEETS AND EXCEEDS APPLICABLE NATIONAL CODES AND STANDARDS

COMPANION PRODUCTS:

- KUB-W-24 - WALL MOUNT VANITY WITH OPTIONS
- KUB-W-24B - WALL MOUNT VANITY WITH OPTIONS
- BKS - 6" BACKSPASH IN MATCHING FINISH(ES)
- 7100-18OF - AMERICAN GRID DRAIN WITH OVERFLOW

CARE AND MAINTENANCE:

- TO PREVENT DAMAGE TO SOLID SURFACE PRODUCTS KEEP HOT OBJECTS AND OPEN FLAMES (INCLUDING CURLING IRONS AND CANDLES) AWAY.
- [CLICK HERE](#) FOR MORE INFO AND CARE INSTRUCTIONS.



LACAVA reserves the right to revise any dimension or information on this sheet without notice. Dimensions are nominal and may vary within an industry accepted tolerance of 1/4". Cabinets with "vanity top" sinks are made to the matching sink and dimensions may vary. LACAVA is not responsible for any cutouts, countertops or furniture made without the actual product or template. Differences in color, grain, appearance, and texture are inherent in all natural woodwork and should be expected. Variances in these qualities are not deemed manufacturing defects and will not be accepted as valid reasons for return or exchanges. Plumbing specifications are only a guideline and may need alteration based on application.