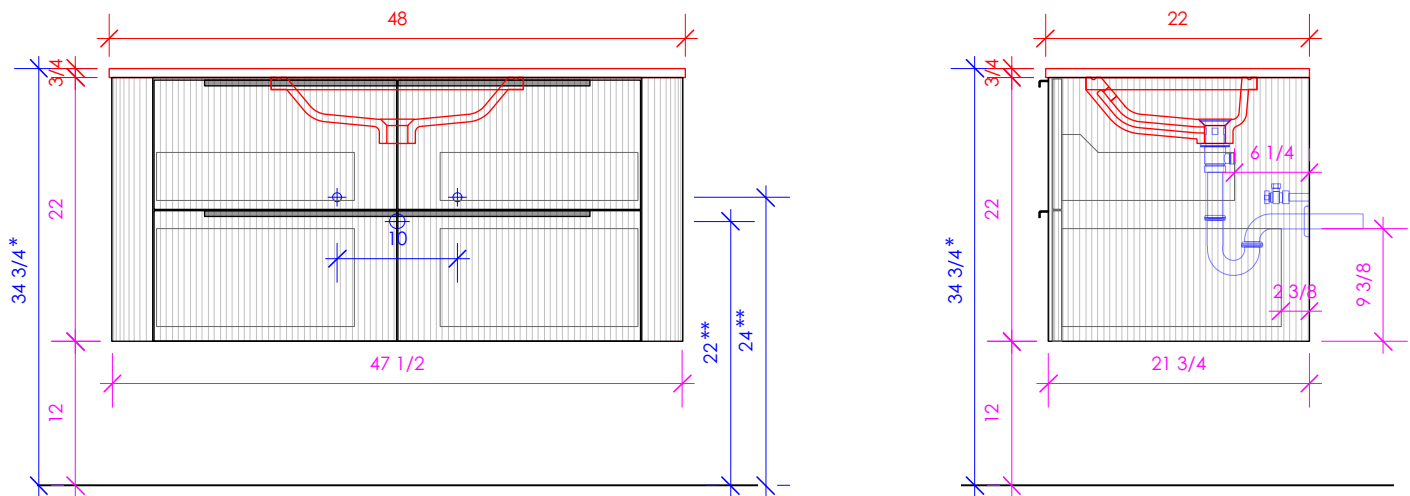


LACAVA

GOLDENSHIRE

GDS-W-48S



SHOWN WITH 5448 SINK

* Recommended installation height
** Recommended plumbing location

FEATURES:

- WALL MOUNT VANITY
- TAMBOUR DETAILING
- ROUNDED CORNERS
- FOUR DRAWERS WITH SOFT-CLOSE GLIDES
- DRAWER BOX STAINED TO REFLECT EXTERIOR FINISH
- DECORATIVE HARDWARE **K131** INCLUDED AND INSTALLED. PLEASE SPECIFY HARDWARE FINISH. CAN BE REQUESTED TO BE WITHOUT HARDWARE.
- USED WITH **GDS-48ST** COUNTERTOP AND **5448**, **5446UN**, **CT58UN**, **K48-FLT**, OR **K48B-FLT** SINK (SOLD SEPARATELY)
- MOUNTING: FRENCH CLEAT (INCLUDED) (SEE FURNITURE MANUAL)
- PROUDLY HANDMADE IN THE USA
- MANUFACTURED WITH LOW VOC FINISHES AND WOOD FROM RENEWABLE FORESTS

FINISHES:

WOOD:

STANDARD:

01 - WHITE MAPLE
02 - NATURAL CHERRY
07 - NATURAL WALNUT
24 - CLASSIC WALNUT
20 - ASH GRAY
06 - WENGE

PREMIUM:

47 - SMOKY WALNUT
31 - WHITE OAK
41 - NATURAL OAK
48 - COFFEE OAK
43 - GRIGIO OAK
49 - BLACK OAK

08 - MATTE WHITE
16 - MATTE BLACK
35 - MATTE ARDESIA
54 - MATTE TAUPE
42 - MATTE OLIVE GREEN
39 - MATTE SAGE
28 - MATTE AZURE
29 - MATTE CLOUD

LUXURY:

50 - HORIZON BLUE	27 - RUSTIC OAK	46 - DRIFTWOOD
52 - SILVER OAK	85 - GLOSS WHITE	*NEWTERRA ONLY*
37 - WEATHERED OAK	86 - GLOSS BLACK	

METALS:

METAL:

21 - BRUSHED STAINLESS STEEL
10 - POLISHED STAINLESS STEEL
44 - MATTE BLACK
MW - MATTE WHITE
BPW - BRASS POWDER COAT
SA - SIENNA

COUNTERTOP: GDS-48ST

STONE:

WH - BIANCO
LN - LINAC
AN - ATENA
GU - GOLD UMBER
GR - GRIGIO
NM - MARQUINA

QUARTZ:

PR - PURO
AH - ASH
CT - CRETA
VN - VENA
DN - DUNE
NR - NERO

SOLID SURFACE:

M - MATTE WHITE
G - GLOSS WHITE
R - MARMO
V - LAVA
D - OBSIDIAN
C - CREMA

CONCRETE:

SND - SAND	BRK - BRICK
SLT - SLATE	MAH - MATCHA
SUN - SUN	GAL - GALAXY
CLY - CLAY	TER - TERRACOTTA
LIL - LILAC	CHL - CHARCOAL
MOS - MOSS	FOR - FOREST
AQA - AQUA	BST - BASALTO

3/4" THICKNESS 3/4" THICKNESS 1/2" THICKNESS

LACAVA reserves the right to revise any dimension or information on this sheet without notice. Dimensions are nominal and may vary within an industry accepted tolerance of 1/4". Cabinets with 'vanity top' sinks are made to the matching sink and dimensions may vary. LACAVA is not responsible for any cutouts, countertops, or furniture made without the actual product or template. Differences in color, grain, appearance, and texture are inherent in all natural woodwork and should be expected. Variances in these qualities are not deemed manufacturing defects and will not be accepted as valid reasons for return or exchanges. Plumbing specifications are only a guideline and may need alteration based on application.

6630 WEST WRIGHTWOOD
CHICAGO, IL 60707

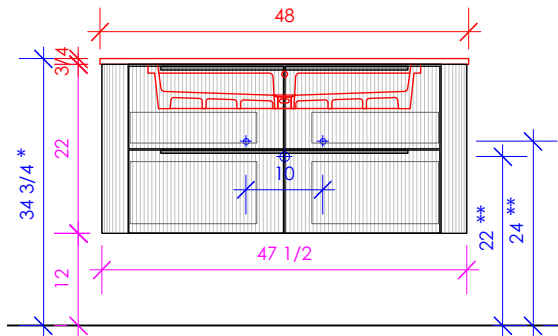
PH: 773-637-9600
FAX: 773-637-9601

LACAVA.COM
INFO@LACAVA.COM

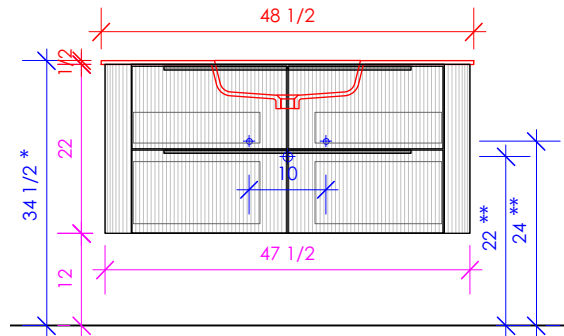
LACAVA

GOLDENSHIRE

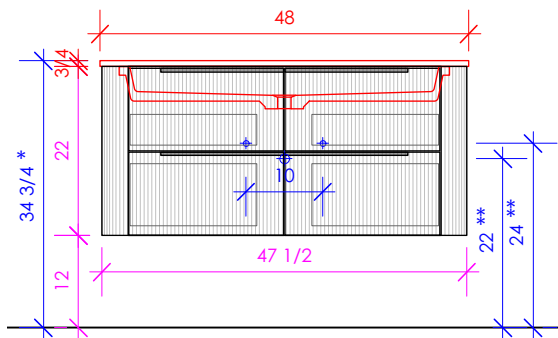
GDS-W-48S



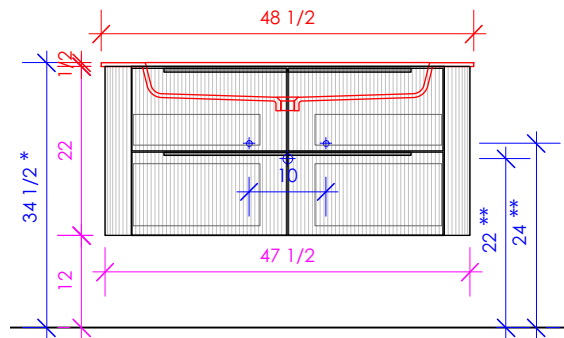
SHOWN WITH 5446UN SINK



SHOWN WITH K48-FLT SINK



SHOWN WITH CT58UN SINK



SHOWN WITH K48B-FLT SINK

* Recommended installation height
** Recommended plumbing location

LACAVA reserves the right to revise any dimension or information on this sheet without notice. Dimensions are nominal and may vary within an industry accepted tolerance of 1/4". Cabinets with 'vanity top' sinks are made to the matching sink and dimensions may vary. LACAVA is not responsible for any cutouts, countertops, or furniture made without the actual product or template. Differences in color, grain, appearance, and texture are inherent in all natural woodwork and should be expected. Variances in these qualities are not deemed manufacturing defects and will not be accepted as valid reasons for return or exchanges. Plumbing specifications are only a guideline and may need alteration based on application.

6630 WEST WRIGHTWOOD
CHICAGO, IL 60707

PH: 773-637-9600
FAX: 773-637-9601

LACAVA.COM
INFO@LACAVA.COM