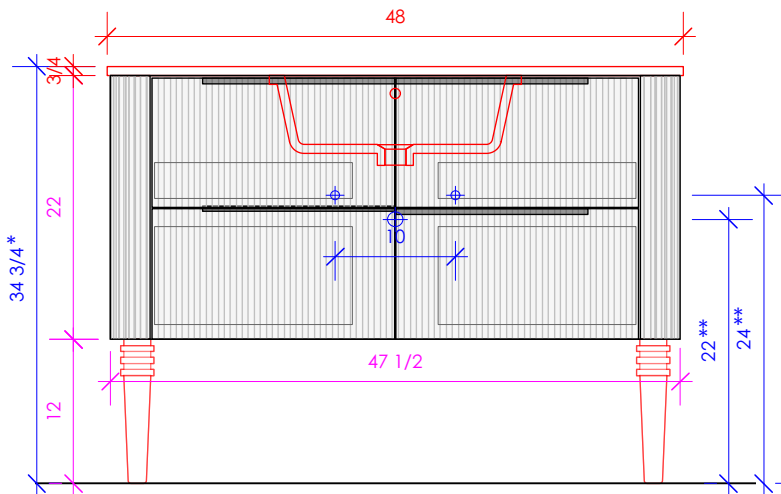
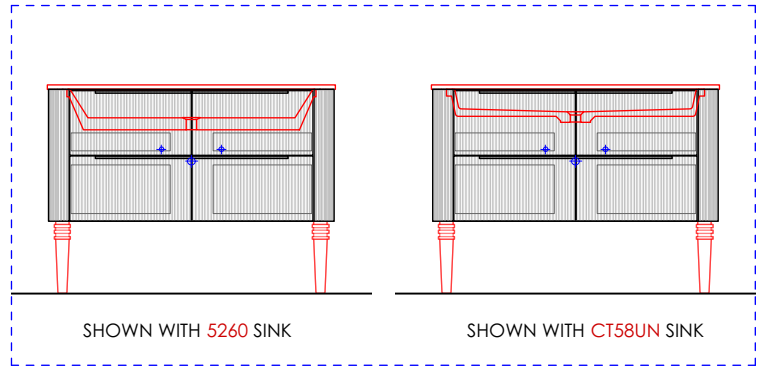


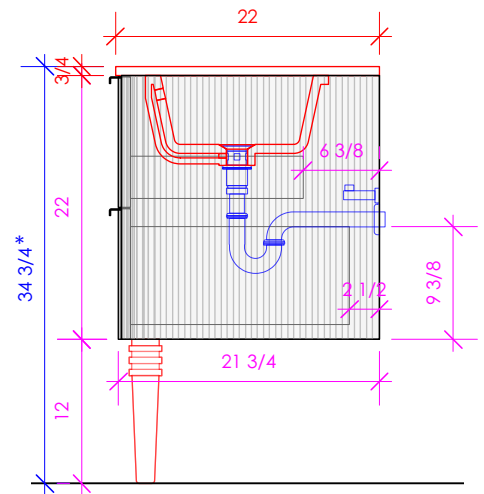
LACAVA

FLUTTI

FLT-W-48S



SHOWN WITH H270 SINK



* Recommended installation height
** Recommended plumbing location

FEATURES:

- WALL MOUNT VANITY
- FLUTED DETAILING
- ROUNDED CORNERS
- FOUR DRAWERS WITH SOFT-CLOSE GLIDES
- DRAWER BOX STAINED TO REFLECT EXTERIOR FINISH
- DECORATIVE HARDWARE K131 INCLUDED AND INSTALLED. PLEASE SPECIFY HARDWARE FINISH. CAN BE REQUESTED TO BE WITHOUT HARDWARE.
- USED WITH FLT-48ST COUNTERTOP AND H270, 5260, OR CT58UN SINK (SOLD SEPARATELY)
- FLT-LEG ADD ON AVAILABLE (SOLD SEPARATELY)
- MOUNTING: FRENCH CLEAT (INCLUDED) (SEE FURNITURE MANUAL)
- PROUDLY HANDMADE IN THE USA
- MANUFACTURED WITH LOW VOC FINISHES AND WOOD FROM RENEWABLE FORESTS

FINISHES:

WOOD:

STANDARD:

- 01 - WHITE MAPLE
- 02 - NATURAL CHERRY
- 07 - NATURAL WALNUT
- 24 - CLASSIC WALNUT
- 20 - ASH GRAY
- 06 - WENGE

PREMIUM:

- 47 - SMOKY WALNUT
- 31 - WHITE OAK
- 41 - NATURAL OAK
- 48 - COFFEE OAK
- 43 - GRIGIO OAK
- 49 - BLACK OAK

- 08 - MATTE WHITE
- 16 - MATTE BLACK
- 35 - MATTE ARDESIA
- 54 - MATTE TAUPE
- 42 - MATTE OLIVE GREEN
- 39 - MATTE SAGE
- 28 - MATTE AZURE
- 29 - MATTE CLOUD

LUXURY:

- | | | |
|--------------------|------------------|-----------------|
| 50 - HORIZON BLUE | 27 - RUSTIC OAK | 46 - DRIFTWOOD |
| 52 - SILVER OAK | 85 - GLOSS WHITE | *NEWTERRA ONLY* |
| 37 - WEATHERED OAK | 86 - GLOSS BLACK | |

METALS:

METAL:

- 21 - BRUSHED STAINLESS STEEL
- 10 - POLISHED STAINLESS STEEL
- 44 - MATTE BLACK
- MW - MATTE WHITE
- BPW - BRASS POWDER COAT
- SA - SIENNA

COUNTERTOP: FLT-48ST

STONE:

- WH - BIANCO
- LN - LINAC
- AN - ATENA
- GU - GOLD UMBER
- GR - GRIGIO
- NM - MARQUINA

QUARTZ:

- PR - PURO
- AH - ASH
- CT - CRETA
- VN - VENA
- DN - DUNE
- NR - NERO

SOLID SURFACE:

- M - MATTE WHITE
- G - GLOSS WHITE
- R - MARMO
- V - LAVA
- D - OBSIDIAN
- C - CREMA

CONCRETE:

- | | |
|-------------|------------------|
| SND - SAND | BRK - BRICK |
| SLT - SLATE | MAH - MATCHA |
| SUN - SUN | GAL - GALAXY |
| CLY - CLAY | TER - TERRACOTTA |
| LIL - LILAC | CHL - CHARCOAL |
| MOS - MOSS | FOR - FOREST |
| AQA - AQUA | BST - BASALTO |

3/4" THICKNESS 3/4" THICKNESS 1/2" THICKNESS

LACAVA reserves the right to revise any dimension or information on this sheet without notice. Dimensions are nominal and may vary within an industry accepted tolerance of 1/4". Cabinets with 'vanity top' sinks are made to the matching sink and dimensions may vary. LACAVA is not responsible for any cutouts, countertops, or furniture made without the actual product or template. Differences in color, grain, appearance, and texture are inherent in all natural woodwork and should be expected. Variances in these qualities are not deemed manufacturing defects and will not be accepted as valid reasons for return or exchanges. Plumbing specifications are only a guideline and may need alteration based on application.

6630 WEST WRIGHTWOOD
CHICAGO, IL 60707

PH: 773-637-9600
FAX: 773-637-9601

LACAVA.COM
INFO@LACAVA.COM