

### Specifications:

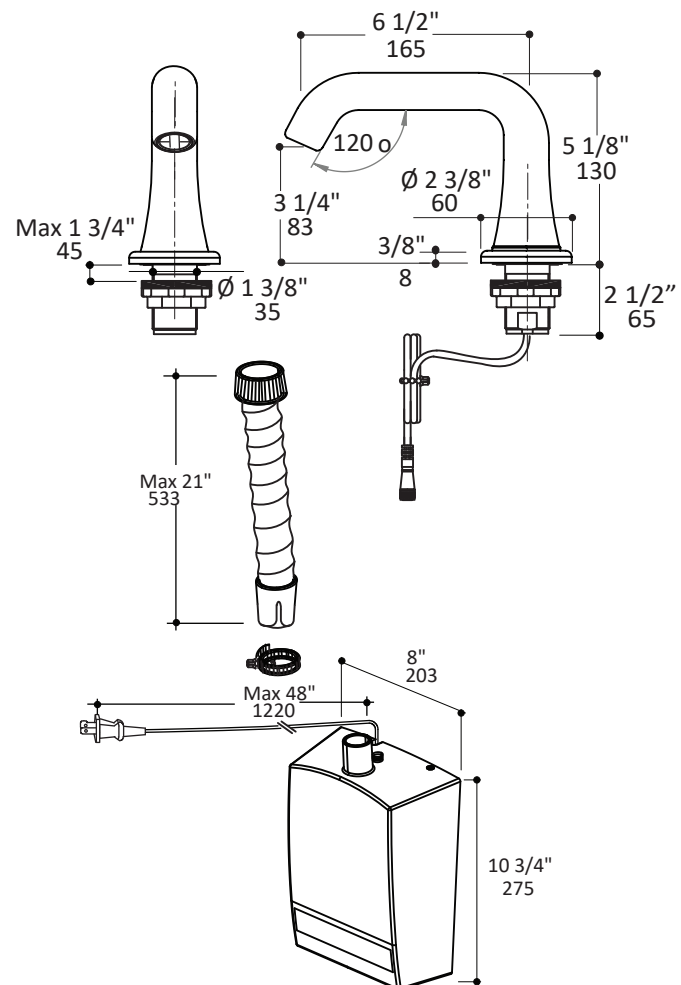
<b>Installation:</b>	deck-mount 1-hole, touch-free
<b>Spout Dimensions:</b>	H: 5 1/8" SPOUT: 6 1/2"
<b>Material:</b>	solid brass construction for durability
<b>Power Supply:</b>	AC
<b>Finishes:</b>	CR - polished chrome PN - polished nickel NI - brushed nickel BG - brushed gold 44 - matte black TN - titanium OB - oil rubbed bronze
<b>Cutout Size:</b>	Ø 1 3/8"
<b>Component Parts Included:</b>	spout, power supply cable, installation hardware, operating box and flexible air hose



### Features:

- Power supply:
  - Voltage: 120V AC
  - Frequency: 50/60 Hz
  - Power: 1100W max.
- Minimum distance between sensor and surface 7"
- Designed to automatically shut off after 60 seconds of continuous operation
- Air speed 223.1 ft/s (68 m/s); air flow rate is 7.06 cfm
- Heat: 90°F - 149°F range at Air Outlet at a 72°F (22°C) ambient room temperature
- HEPA-filter removes 99.99% of particles as small as 0.3 µm, including dust, mold spores and most bacteria from airflow
- Sensor life expectancy: 500,000 cycles
- Easy installation; easy maintenance
- No reflective surfaces (mirrors, polished metal finishes, etc) to be placed in the range of the sensor

- touch-free safety from spreading undesirable pathogens
- commercial grade automated fixture



### Codes + Standards:

- Meets and exceeds applicable national codes and standards

**ADA** compliant when installed to specific requirements of this regulation



### Recommended Items:

- Replacement parts:
  - #EX42-FL - replacement filter
  - #EX42-BX - replacement operating box
  - #EX42-SENR replacement sensor
- Matching fixtures (sold separately)
  - #EX61 - electronic faucet
  - #EX63 - electronic soap dispenser

LACAVA reserves the right to revise any dimension or information on this sheet without notice. Dimensions are nominal and may vary within an industry accepted tolerance of 1/4". Drawings provided herein are meant to give the user an idea of the product and are not made to scale. Location of plumbing is meant for reference, your specific application may vary.  
Revised: 2/27/2026