

## Specifications:

<b>Installation:</b>	wall-mount 1-hole inside a cabinet above the sink, touch-free
<b>Exterior dimensions:</b>	H: 1 1/2" Ø 2"
<b>Material:</b>	stainless steel spout construction for durability
<b>Soap volume discharge:</b>	0.07 oz (2mL)/level (4 levels)
<b>Power supply:</b>	AC/DC
<b>Finishes:</b>	21 - brushed stainless steel
<b>Cutout size:</b>	Ø 1 1/8"
<b>Accessories included:</b>	power adapter, large soap bottle #EXBTL, all supply lines and battery box



## Features:

- **Touch-free safety from spreading undesirable pathogens**
- **Commercial grade automated fixture**
- Power supply options:
  - AC - transformer with a plug to electricity and/or
  - DC - battery pack for 4 x D alkaline batteries (batteries not included)
    - on average lasts for 75,000 use cycles
- Plastic refillable bottle with 0.5 gal (1.9 L) capacity
- Optional small bottle .21 gal (.8 L) supplied upon request – specify code EXBTS at the time of order
- Liquid soap viscosity: 1000-3500 cps (mpA-s). Not for use with foam soap
- Minimum distance between sensor and surface 8"
- Sensor life expectancy: 500,000 cycles
- No reflective surfaces (mirrors, polished metal finishes, etc) to be placed in the range of the sensor

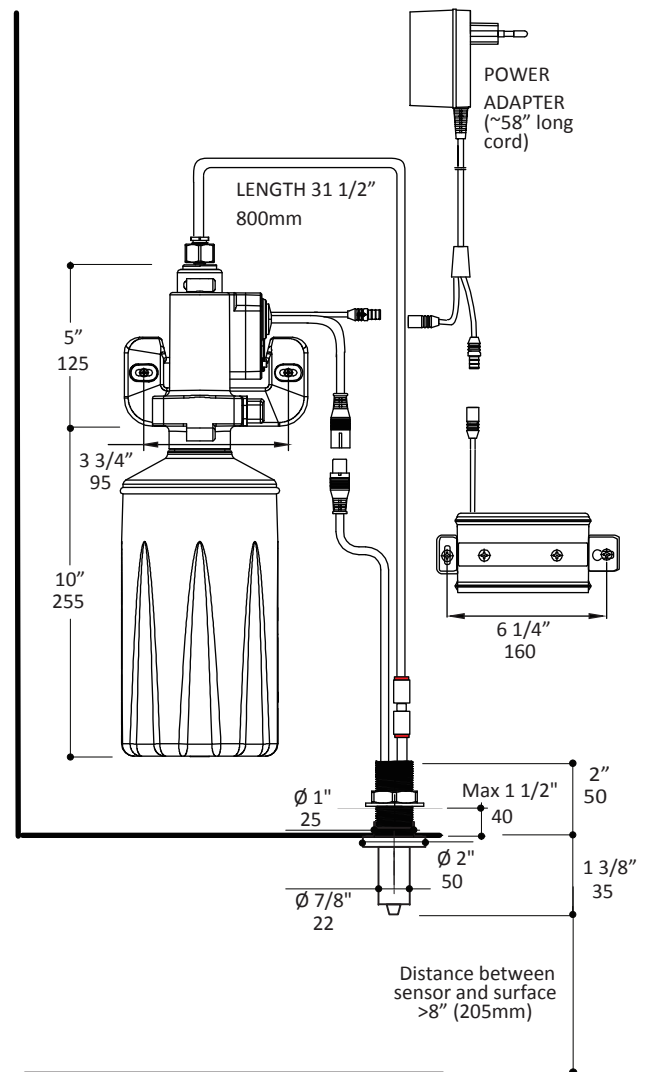
## Codes + Standards:



compliant when installed to specific requirements of this regulation

## Recommended Items:

- Replacement parts:
  - #PUMP2 - replacement pump
  - #4DBATPK - replacement battery pack
  - #EXBTL - replacement large soap bottle, .5 gal
  - #EXBTS - replacement small soap bottle, .21 gal
  - #EX33-ASV - replacement anti-siphon valve
- #EX14 - matching electronic faucet
- #EX42-W2 - matching electronic hand-dryer



LACAVA reserves the right to revise any dimension or information on this sheet without notice. Dimensions are nominal and may vary within an industry accepted tolerance of 1/4\"/>

Revised: 10/28/2024