

# LACAVA

## ZOOM wall-mount electronic faucet EX14/EX14.5/EX14.35

### Specifications:

<b>Installation:</b>	wall-mount 1-hole inside a cabinet above the sink, touch-free
<b>Exterior Dimensions:</b>	H: 1 1/2" Ø 2"
<b>Material:</b>	stainless steel spout construction for durability
<b>Water use:</b>	1 GPM (EX14), 0.5 GPM (EX14.5), 0.35 GPM (EX14.35)
<b>Power supply:</b>	AC/DC
<b>Finishes:</b>	21 - brushed stainless steel
<b>Cutout Size:</b>	Ø 1 3/8"
<b>Accessories included:</b>	power adapter, flexible supply line F 1/2" and battery box



### Features:

- Power supply options:
  - AC - transformer with a plug to electricity and/or
  - DC - battery pack for 4 x AA alkaline batteries (batteries not included)
    - on average lasts for 108,000 use cycles
- For cold or premixed water (mixer sold separately)
- 10 seconds metering cycles
- Sensor life expectancy: 500,000 cycles
- Minimum distance between sensor and surface 10"
- Water pressure: 15-90 PSI, recommended 43.5 PSI
- Water temperature: 34-120° Fahrenheit (1-50° Celsius)
- No reflective surfaces (mirrors, polished metal finishes, etc) to be placed in the range of the sensor

- touch-free safety from spreading undesirable pathogens
- commercial grade automated fixture
- low flow promotes water use savings

### Codes + Standards:

- Meets and exceeds applicable national codes and standards
- 1 GPM Watersense certified (EX14)
- 0.5 GPM CAL-Green compliant (EX14.5)
- 0.35 GPM LEED Credit (EX14.35)

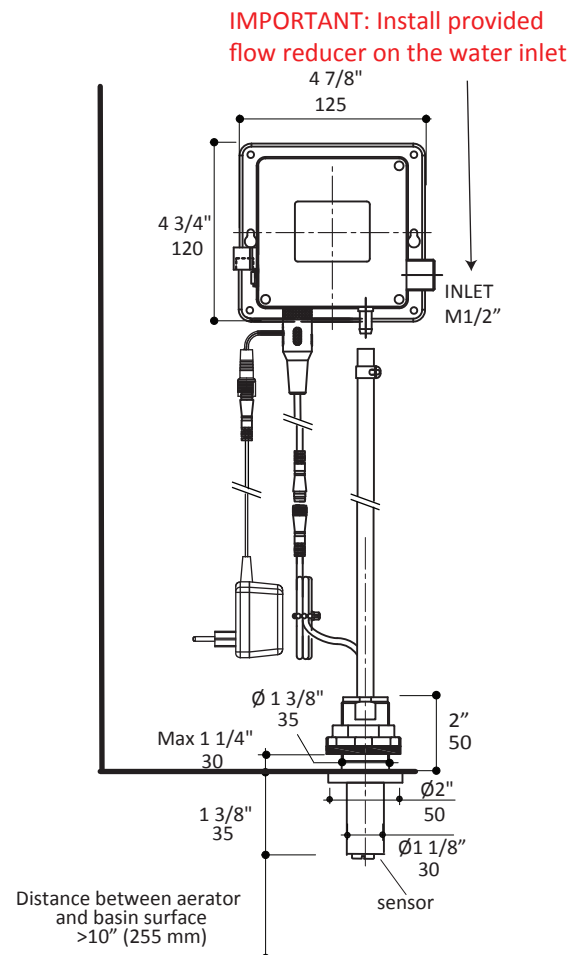
**ADA**

compliant when installed to specific requirements of this regulation



### Recommended Items:

- Replacement parts:
  - #4ABATPK - replacement battery pack
  - #EX22-SENR replacement sensor
- Mixing valves (sold separately)
  - #EX20A - mechanical mixing valve
  - #EX25A - integrated thermostatic valve
- American size grid drains
  - #7100-18 - without overflow holes
  - #7100-18OF - with overflow holes
- #EX33 - matching electronic soap dispenser
- #EX42-W2 - matching electronic hand-dryer



LACAVA reserves the right to revise any dimension or information on this sheet without notice. Dimensions are nominal and may vary within an industry accepted tolerance of 1/4". Drawings provided herein are meant to give the user an idea of the product and are not made to scale. Location of plumbing is meant for reference, your specific application may vary.

Revised: 5/31/2024