

## Specifications:

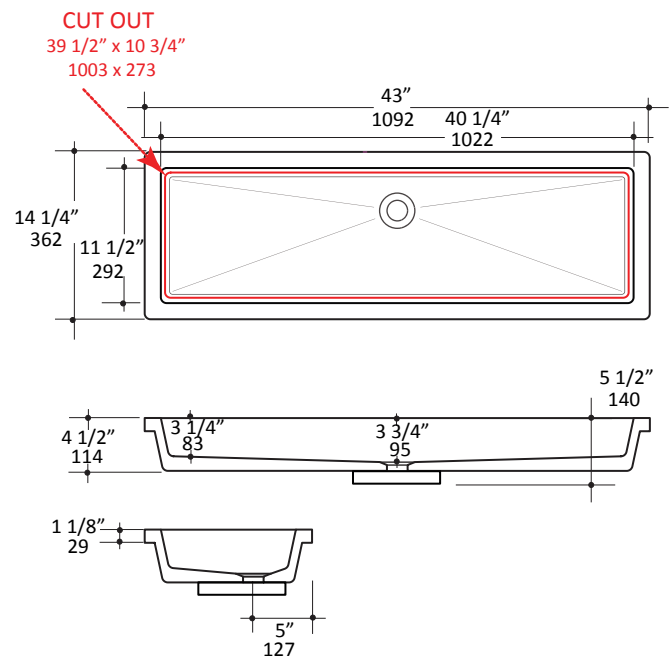
<b>Installation:</b>	Undermount		
<b>Interior Dimensions:</b>	40 1/4" w x 11 1/2" d x 3 3/4" h		
<b>Exterior Dimensions:</b>	43" w x 14 1/4" d x 5 1/2" h		
<b>Material:</b>	Concrete		
<b>Weight:</b>	70 lbs		
<b>Overflow:</b>	No		
<b>Finishes:</b>	TER - Terracotta	MOS - Moss	MAH - Matcha
	SLT - Slate	LIL - Lilac	AQA - Aqua
	CHL - Charcoal	CLY - Clay	GAL - Galaxy
	SND - Sand	SUN - Sun	BRK - Brick
<b>Cut-out Size:</b>	39 1/2" x 10 3/4" (Due to the handmade product, dimensions will vary)		
<b>Drain Hole Size:</b>	Ø 1 3/4"		



## Features:

- Concrete sink without overflow
- Size can be customized upon request (conditions apply)
- We strongly recommend to use silicon to glue sink to top without clips. If clips must be used, they must have a rubber, flat surface with at least 1/2" square surface between sink and the clip, not a point clip or direct contact of metal with sink surface.

Do not use this sheet as a guide for countertop cuts.



## Codes + Standards:

- Meets and exceeds applicable national codes and standards

**ADA** compliant when installed to specific requirements of this regulation

## Recommended Items:

- Drain options
  - 7100-13
  - 7100-15

## Care + Maintenance:

- Due to the nature of concrete material, please do not overtighten the drain and other hardware as it may cause the sink to chip or crack  
[Click Here](#) to find out more about proper care and maintenance of concrete