

## Specifications:

<b>Installation:</b>	Vessel		
<b>Interior Dimensions:</b>	16 3/8" w x 12 3/8" d x 4 5/8" h		
<b>Exterior Dimensions:</b>	18 3/4" w x 14 3/4" d x 6 3/4" h		
<b>Material:</b>	Concrete		
<b>Weight:</b>	44 lbs		
<b>Overflow:</b>	No		
<b>Finishes:</b>	TER - Terracotta	MOS - Moss	MAH - Matcha
	SLT - Slate	LIL - Lilac	AQA - Aqua
	CHL - Charcoal	CLY - Clay	GAL - Galaxy
	SND - Sand	SUN - Sun	BRK - Brick
<b>Cut-out Size:</b>	Ø 8" (template available upon request)		
<b>Faucet Hole Size:</b>	N/A		
<b>Drain Hole Size:</b>	Ø 1 3/4"		



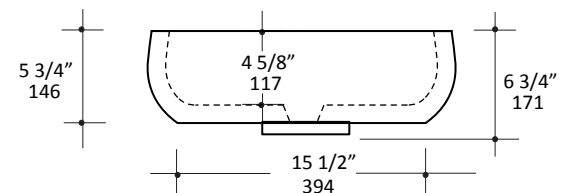
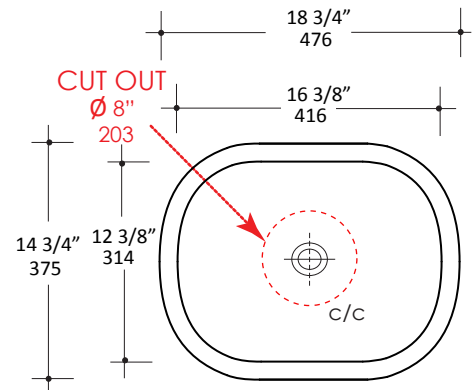
## Features:

- Concrete sink without overflow
- Size can be customized upon request (conditions apply)

## Codes + Standards:

- Meets and exceeds applicable national codes and standards

**ADA** compliant when installed to specific requirements of this regulation



## Recommended Items:

- Drain options
  - 7100-13
  - 7100-15

## Care + Maintenance:

- Due to the nature of concrete material, please do not overtighten the drain and other hardware as it may cause the sink to chip or crack [Click Here](#) to find out more about proper care and maintenance of concrete

LACAVA reserves the right to revise any dimension or information on this sheet without notice. Dimensions are nominal and may vary within an industry accepted tolerance of 1/4".  
Drawings provided herein are meant to give the user an idea of the product and are not made to scale.  
Revised: 06/19/2024