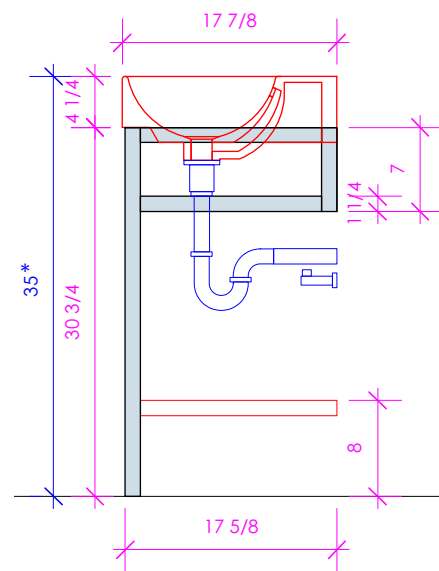
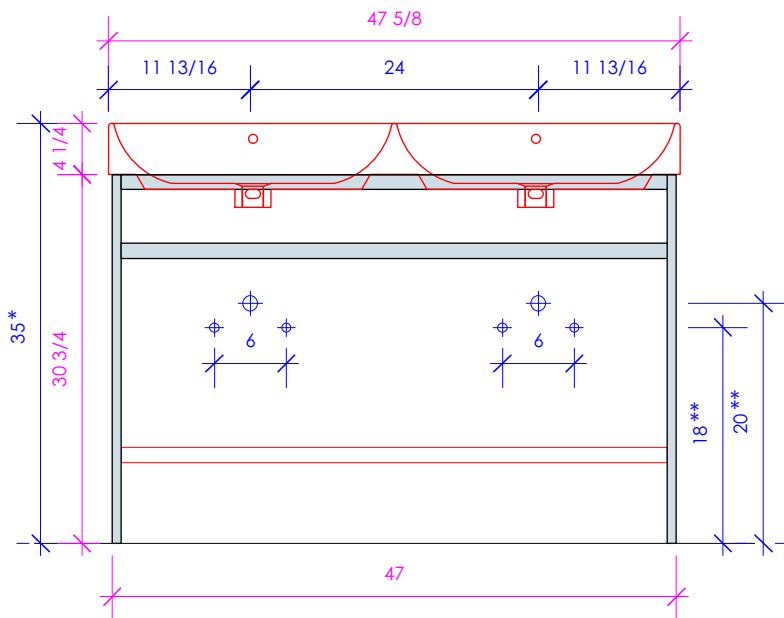
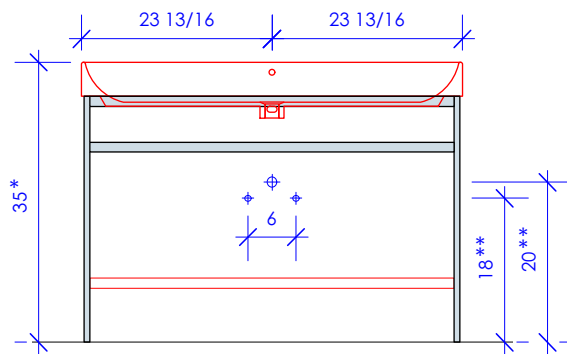


LACAVA

AQUASEI

AQS-BX-48

SUGGESTED PLUMBING
LOCATION WHEN
USED WITH 5235 OR
5244C/L/R



* Recommended installation height
** Recommended plumbing location

FEATURES:

- FLOOR STANDING CONSOLE VANITY
- WELDED METAL CONSOLE
- ADD ON SHELF **CSS** AVAILABLE (SOLD SEPARATELY)
- USED WITH **5234, 5235, OR 5244C/L/R** SINK (SOLD SEPARATELY)
- MOUNTING: PREDRILLED HOLES IN METAL SPANS (SEE FURNITURE MANUAL)
- PROUDLY HANDMADE IN THE USA

FINISHES:

WOOD:			
STANDARD:	PREMIUM:	LUXURY:	
02 - NATURAL CHERRY	22 - GRAY ZEBRA	37 - WEATHERED OAK	46 - DRIFTWOOD
07 - NATURAL WALNUT	31 - WHITE OAK	52 - SILVER OAK	*NEWTERRA ONLY*
24 - CLASSIC WALNUT	27 - RUSTIC	50 - HORIZON BLUE	
20 - ASH GRAY	47 - SMOKY WALNUT		
06 - WENGE			
33 - AFRICAN MAHOAGANY	08 - MATTE WHITE	85 - GLOSS WHITE	08T1 - WHITE W/ TEXTURE
	35 - MATTE ARDESIA	88 - GLOSS ARDESIA	35T1 - ARDESIA W/ TEXTURE
	54 - MATTE TAUPE	84 - GLOSS TAUPE	54T1 - TAUPE W/ TEXTURE
	16 - MATTE BLACK	86 - GLOSS BLACK	16T1 - BLACK W/ TEXTURE

COUNTERTOP:				METALS:
STONE:	QUARTZ:	SOLID SURFACE:	CONCRETE:	METAL:
WH - BIANCO	PR - PURO	M - SATIN WHITE	SND - SAND	21 - BRUSHED STAINLESS STEEL
LN - LINAC	AH - ASH	G - POLISHED WHITE	SLT - SLATE	10 - POLISHED STAINLESS STEEL
SL - ATHENS		R - MARMO	TER - TERRACOTTA	
		V - LAVA	CHL - CHARCOAL	44 - MATTE BLACK
		D - OBSIDIAN		MW - MATTE WHITE
				BPW - BRASS POWDER COAT

LACAVA reserves the right to revise any dimension or information on this sheet without notice. Dimensions are nominal and may vary within an industry accepted tolerance of 1/4". Cabinets with 'vanity top' sinks are made to the matching sink and dimensions may vary. LACAVA is not responsible for any cutouts, countertops, or furniture made without the actual product or template. Differences in color, grain, appearance, and texture are inherent in all natural woodwork and should be expected. Variances in these qualities are not deemed manufacturing defects and will not be accepted as valid reasons for return or exchanges. Plumbing specifications are only a guideline and may need alteration based on application.

6630 WEST WRIGHTWOOD
CHICAGO, IL 60707

PH: 773-637-9600
FAX: 773-637-9601

LACAVA.COM
INFO@LACAVA.COM