

Specifications:

| | |
|-----------------------------|--|
| Installation: | Vanity-top |
| Exterior Dimensions: | 48" w x 18 3/8" d x 5 7/8" h |
| Material: | Solid surface |
| Weight: | 40 lbs |
| Overflow: | Yes |
| Finishes: | M - Matte white G - Gloss white |
| Faucet Holes: | 00 - no holes 01 - one centered hole 02 - two holes - center and right, 4" spread 03 - three holes, 8" spread |
| Cutout Size: | 24" x 16" (template available upon request) |
| Faucet Hole Size: | Ø 1 3/8" |
| Drain Hole Size: | Ø 1 3/4" |



Features:

- Solid surface sink with overflow

Codes + Standards:

- Meets and exceeds applicable national codes and standards

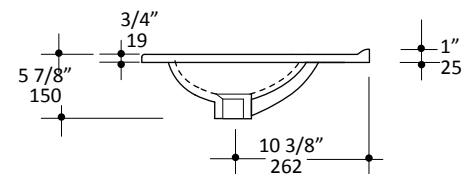
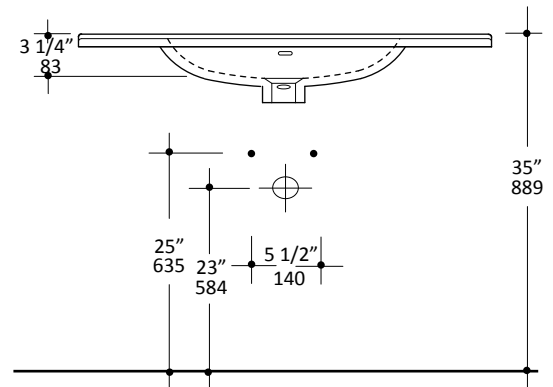
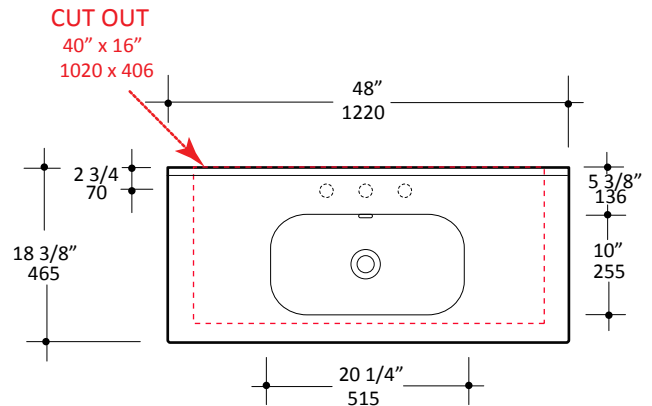
Recommended Items:

- Furniture
 - BRI-F-48 - Freestanding under-counter vanity with one drawer and an open shelf on the bottom
 - AQT-WB-48 - Wall-mount under-counter vanity with four drawers
- European drain with overflow
 - 7100-12
 - 7100-13OF
 - 7100-16OF

Care + Maintenance:

- To prevent damage to the solid surface material, hot objects and open flame should not be placed in direct contact with the surface

[Click Here](#) to find out more about proper care and maintenance



Drawings provided herein are meant to give the user an idea of the product and are not made to scale. LACAVA reserves the right to revise any dimension or information on this sheet without notice. Dimensions are nominal and may vary within an industry accepted tolerance of 1/4".
Revised: 4/8/2024