

### Specifications:

<b>Installation:</b>	Vanity-top
<b>Exterior Dimensions:</b>	31 3/4" w x 18 1/8" d x 5 1/2" h
<b>Material:</b>	Porcelain
<b>Weight:</b>	36 lbs
<b>Overflow:</b>	Yes
<b>Finishes:</b>	001 - White
<b>Faucet Holes:</b>	00 - no holes 01 - one centered hole 02 - two holes - center and right, 4" spread 03 - three holes, 8" spread
<b>Cutout Size:</b>	21" x 12 1/2" (template available upon request)
<b>Faucet Hole Size:</b>	Ø 1 3/8"
<b>Drain Hole Size:</b>	Ø 1 3/4"



### Features:

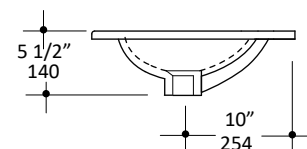
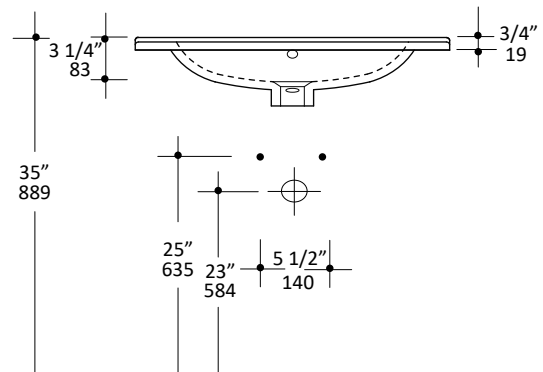
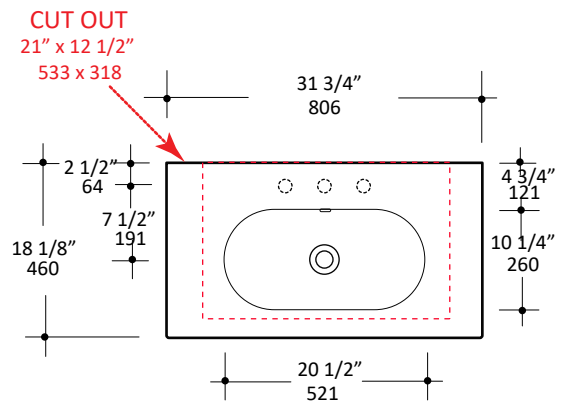
- Porcelain sink with overflow
- Most standard American drains can also be used

### Codes + Standards:

- Meets and exceeds applicable national codes and standards

### Recommended Items:

- Furniture
  - AQT-F-32 - Freestanding under-counter vanity with two doors and one drawer on the bottom
  - AQT-W-32 - Wall-mount under-counter vanity with two doors routed for finger pulls
- European drain with overflow
  - 7100-12
  - 7100-13OF
  - 7100-16OF



LACAVA reserves the right to revise any dimension or information on this sheet without notice. Dimensions are nominal and may vary within an industry accepted tolerance of 1/4".  
Drawings provided herein are meant to give the user an idea of the product and are not made to scale.  
Revised: 08/18/2020