

# LACAVA

## SUAVE vessel or pedestal sink 6060S + 6060P

### Specifications:

Installation:	vessel or pedestal
Sink Ext. Dimensions:	23 3/4" w x 17 7/8" d x 6" h
Pedestal Ext. Dimensions:	23 3/4" w x 17 7/8" d x 29" h
Material:	Solid surface
Weight:	6060S Sink – 44 lbs 6060P Pedestal – 76 lbs
Overflow:	Yes
Finishes:	M - Matte white G - Gloss white
Faucet Holes:	00 - no hole 01 - one centered hole LHR – Left hand rear one hole RHR – Right hand rear one hole
Faucet Hole Size:	Ø 1 3/8"
Drain Hole Size:	Ø 1 3/4"
Cutout Size:	Ø 13" (templates available upon request)



### Features:

- Solid surface sink with overflow
- Can be used as a vessel sink or with 6060P pedestal, SUA-CV-28 console (sold separately)
- 1 3/4" dia drain hole compatible with most European and American drains
- Reversible (finished back)
- Material is stain, scratch, chemical, and impact resistant
- Proudly handmade in the USA

### Codes + Standards:

- Meets and exceeds applicable national codes and standards

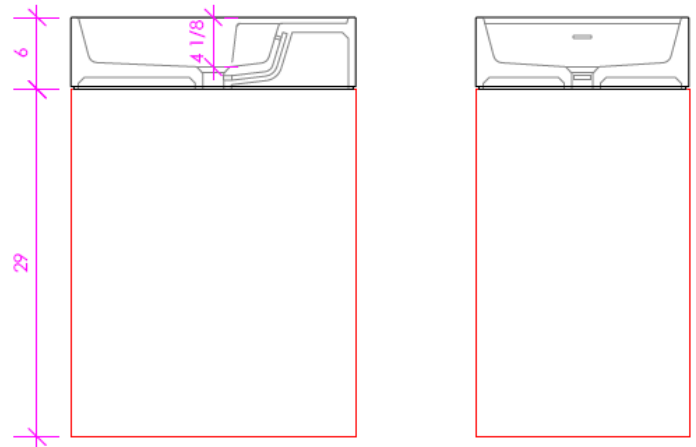
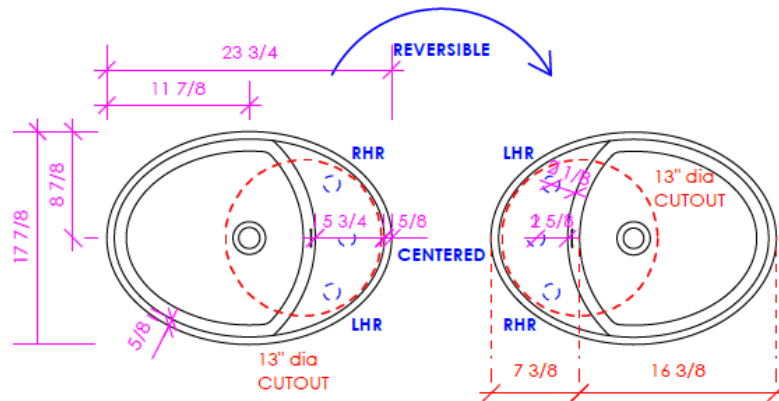
### Recommended Items:

- Furniture:
  - 6060P – Pedestal made of solid surface
  - SUA-CV-28 – Metal console
- Drain:
  - 7100-16OF – Click clack European drain with overflow
  - 7100-13OF – Stationary European drain with overflow

### Care + Maintenance:

- To prevent damage to the solid surface material, hot objects and open flame should not be placed in direct contact with the surface

[Click Here](#) to find out more about proper care and maintenance



Shown with 6060P

LACAVA reserves the right to revise any dimension or information on this sheet without notice. Dimensions are nominal and may vary within an industry accepted tolerance of 1/4". Drawings provided herein are meant to give the user an idea of the product and are not made to scale.

Revised: 12/23/25