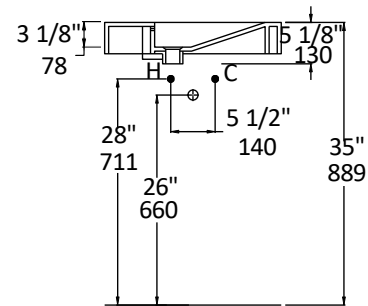
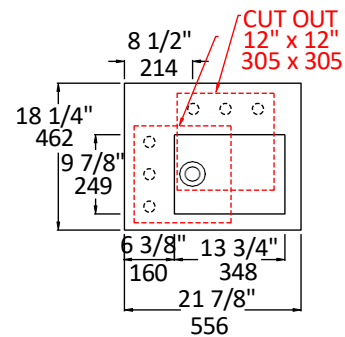


Specifications:

Installation:	Vanity-top, wall-mount, or on-counter
Exterior Dimensions:	21 7/8" w x 18 1/4" d x 5 1/8" h
Material:	Solid surface
Weight:	34 lbs
Overflow:	Yes
Finishes:	M - Matte white G - Gloss white
Faucet Holes:	00 - no hole 01 - one centered hole 02 - two hole - center and right, 4" spread 03 - three hole, 8" spread Other holes drilled to order when requested - please mark in the specs
Cut-out Size:	12" x 12" (template available upon request)
Faucet Hole Size:	Ø 1 3/8"
Drain Hole Size:	Ø 1 3/4"

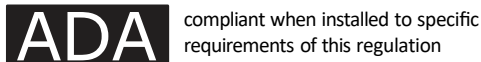


Features:

- Solid surface sink with overflow
- Finished back
- Unfinished bottom
- Material is stain, scratch, chemical, and impact resistant
- Wall-mount holes can be drilled at job site to match up with studs or other wall enforcement

Codes + Standards:

- Meets and exceeds applicable national codes and standards



Recommended Items:

- Drain with overflow
 - 7100-17
 - 7100-13OF
 - 7100-16OF

Care + Maintenance:

- To prevent damage to the solid surface material, hot objects and open flame should not be placed in direct contact with the surface

[Click Here](#) to find out more about proper care and maintenance

LACAVA reserves the right to revise any dimension or information on this sheet without notice. Dimensions are nominal and may vary within an industry accepted tolerance of 1/4". Drawings provided herein are meant to give the user an idea of the product and are not made to scale.

Revised: 1/2/26

