

Specifications:

Installation:	Vanity-top or vessel
Exterior Dimensions:	32" w x 18" d x 3" h
Material:	Solid surface
Weight:	34 lbs
Overflow:	Yes
Finishes:	M - Matte white G - Gloss white
Faucet Holes:	00 - no hole 01 - one centered hole 02 - two hole - center and right, 4" spread 03 - three hole, 8" spread
Cut-out Size:	16" x 8" (template available upon request)
Faucet Hole Size:	Ø 1 3/8"
Drain Hole Size:	Ø 1 3/4"



Features:

- Solid surface sink with overflow
- Glazed back
- Unglazed bottom
- Material is stain, scratch, chemical, and impact resistant
- Current cut-out template can be requested
- 5101LH - sink on the left

Codes + Standards:

- Meets and exceeds applicable national codes and standards



compliant when installed to specific requirements of this regulation

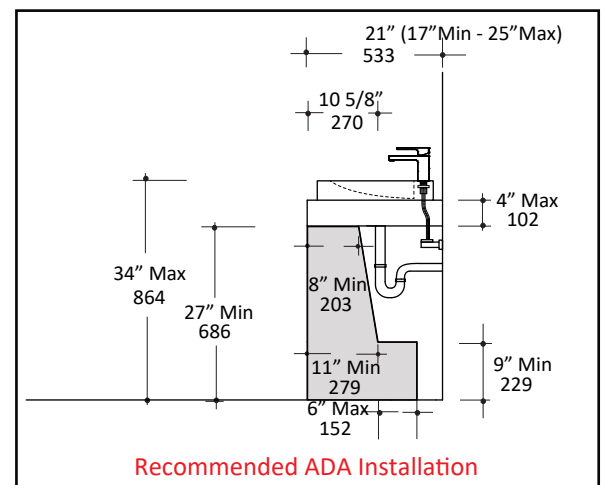
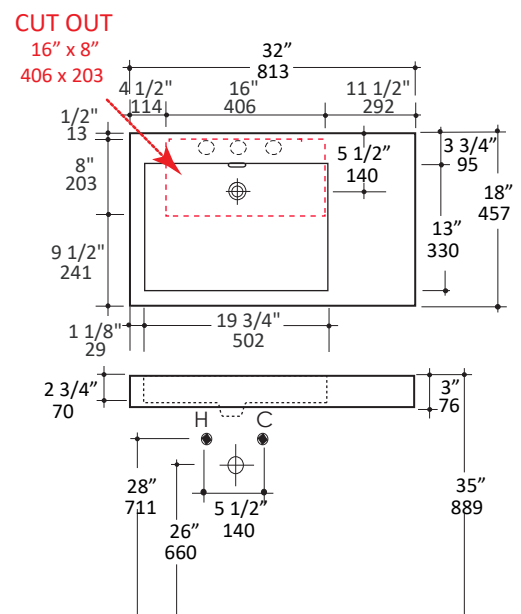
Recommended Items:

- Furniture
 - LUC-W-32 - Wall-mounted undercounter vanity with largewood pull on single drawer
 - LIB-W-32L/LIB-W-32R - ADA compliant wall-mounted undercounter vanity with two swing doors, two open cubbies, and accent light with ADA compliant switch
- European drain with overflow
 - 7100-17 pop up drain
 - 7100-13OF grid drain
 - 7100-16OF click-clack drain

Care + Maintenance:

- To prevent damage to the solid surface material, hot objects and open flame should not be placed in direct contact with the surface

[Click Here](#) to find out more about proper care and maintenance



LACAVA reserves the right to revise any dimension or information on this sheet without notice. Dimensions are nominal and may vary within an industry accepted tolerance of 1/4".
Drawings provided herein are meant to give the user an idea of the product and are not made to scale.
Revised: 12/11/2024

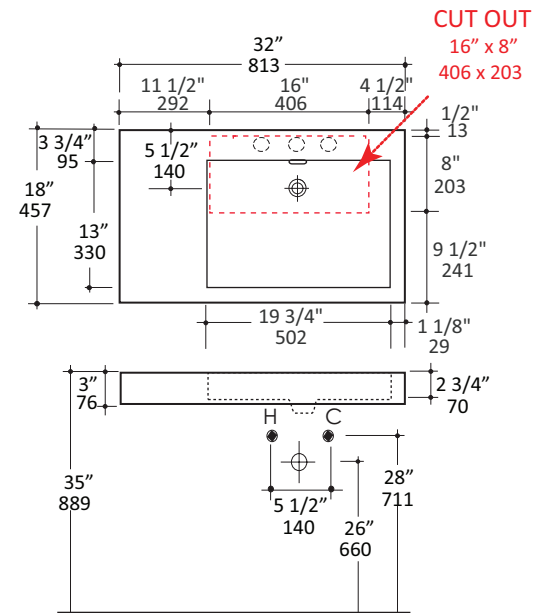
Specifications:

Installation:	Vanity-top or vessel
Exterior Dimensions:	32" w x 18" d x 3" h
Material:	Solid surface
Weight:	34 lbs
Overflow:	Yes
Finishes:	M - Matte white G - Gloss white
Faucet Holes:	00 - no hole 01 - one centered hole 02 - two hole - center and right, 4" spread 03 - three hole, 8" spread
Cut-out Size:	16" x 8" (template available upon request)
Faucet Hole Size:	Ø 1 3/8"
Drain Hole Size:	Ø 1 3/4"



Features:

- Solid surface sink with overflow
- Glazed back
- Unglazed bottom
- Material is stain, scratch, chemical, and impact resistant
- Current cut-out template can be requested
- 5101RH - sink on the right



Codes + Standards:

- Meets and exceeds applicable national codes and standards



compliant when installed to specific requirements of this regulation

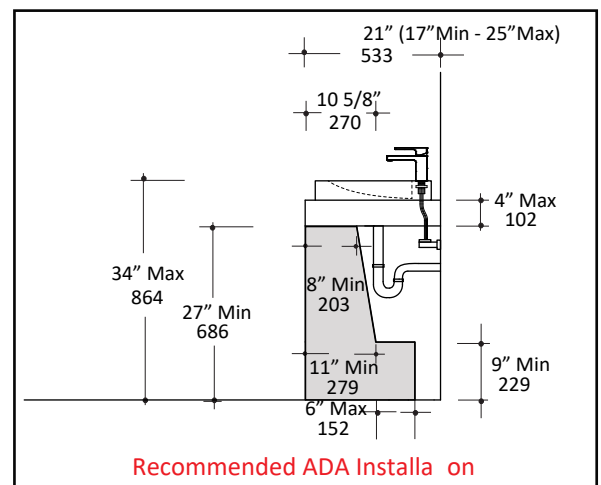
Recommended Items:

- Furniture
 - LUC-W-32 - Wall-mounted undercounter vanity with largewood pull on single drawer
 - LIB-W-32L/LIB-W-32R - ADA compliant wall-mounted undercounter vanity with two swing doors, two open cubbies, and accent light with ADA compliant switch
- Drain with overflow
 - 7100-12 pop up drain
 - 7100-13OF grid drain
 - 7100-16OF click-clack drain

Recommended Items:

- To prevent damage to the solid surface material, hot objects and open flame should not be placed in direct contact with the surface

[Click Here](#) to find out more about proper care and maintenance



LACAVA reserves the right to revise any dimension or information on this sheet without notice. Dimensions are nominal and may vary within an industry accepted tolerance of 1/4". Drawings provided herein are meant to give the user an idea of the product and are not made to scale.

Revised: 12/05/2024