

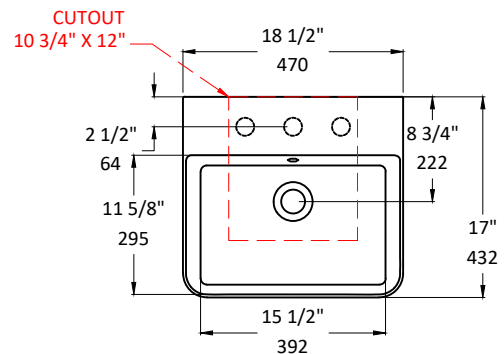
## Specifications:

<b>Installation:</b>	Above-counter or wall-mount
<b>Exterior Dimensions:</b>	18 1/2" w x 17"d x 6" h
<b>Material:</b>	Porcelain
<b>Weight:</b>	26.5 lbs
<b>Overflow:</b>	Yes
<b>Finishes:</b>	001 - White
<b>Faucet Holes:</b>	01 - one centered hole 02 - two - center and right, 4" spread 03 - three, 8" spread
<b>Cut-out Size:</b>	12" x 10 3/4" (template available upon request)
<b>Faucet Hole Size:</b>	Ø 1 3/8"
<b>Drain Hole Size:</b>	Ø 1 3/4"



## Features:

- Porcelain sink with an overflow
- Requires oversized European drain 7100-130F
- Unfinished back wall
- Above-counter or wall-mount installation
- Wall must be reinforced with solid backing across the whole sink size
- Wall-mounting bolts are included (supports 200 lb. max)

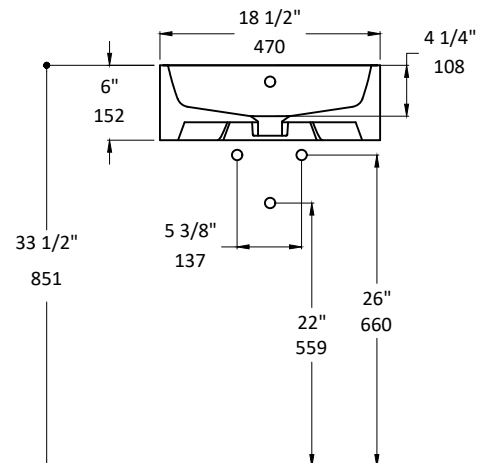


## Codes + Standards:

- Meets and exceeds applicable national codes and standards

## Recommended Items:

- European drain w/ overflow
  - 7100-130F
  - 7100-200F.



LACAVA reserves the right to revise any dimension or information on this sheet without notice. Dimensions are nominal and may vary within an industry accepted tolerance of 1/4". Drawings provided herein are meant to give the user an idea of the product and are not made to scale.

Revised: 4/13/2026