

Specifications:

Installation:	Floor standing 1-hole, single lever
Exterior Dimensions:	H: 34 3/8" SPOUT: 8 3/8"
Material:	Solid brass construction
Water use:	5 GPM (60 PSI)
Finishes:	CR - polished chrome NI - brushed nickel 44 - matte black
Weight:	15 lbs



Features:

- Floor-standing single-hole tub filler with single lever handle
- Includes two-way diverter and hand-held shower head #1560 with 59" flexible hose
- Other hand-held showers can be requested at the time of order
- Brass construction with single ceramic disc cartridge
- Includes rough-in and trim
- Complements the Flou Collection

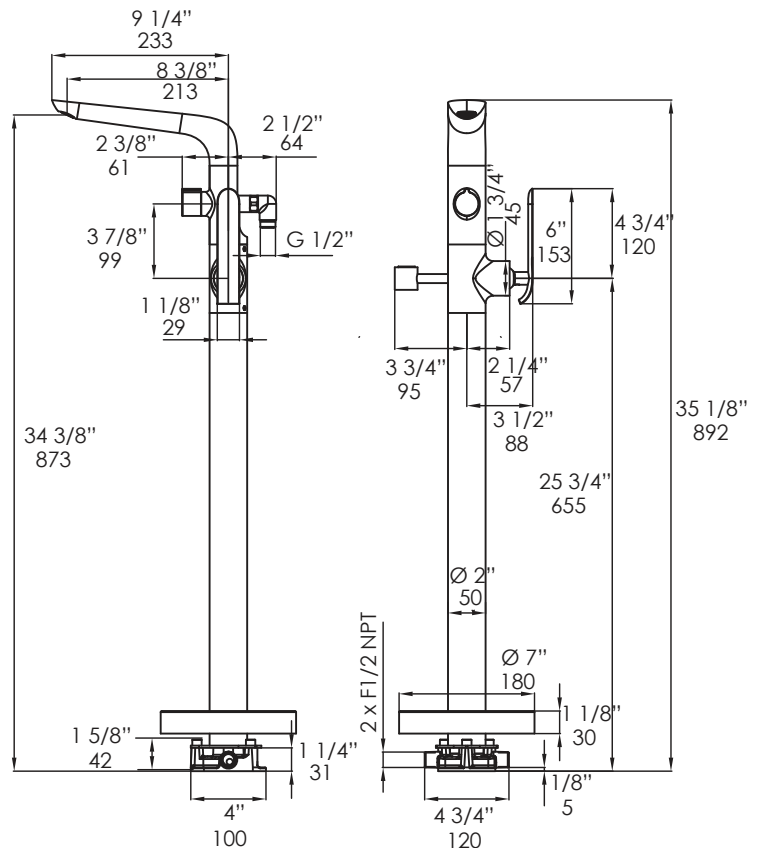
Codes + Standards:

- Meets and exceeds applicable national codes and standards

ADA compliant when installed to specific requirements of this regulation

Recommended Items:

- Replacement parts:
 - A00045-59" flexible shower hose
 - Shower head 1560
 - R6010 - Replacement cartridge
 - 4195-D- Replacement diverter kit



LACAVA reserves the right to revise any dimension or information on this sheet without notice. Dimensions are nominal and may vary within an industry accepted tolerance of 1/4". Drawings provided herein are meant to give the user an idea of the product and are not made to scale. Location of plumbing is meant for reference, your specific application may vary.

Revised: 02/07/2025