

### Features:

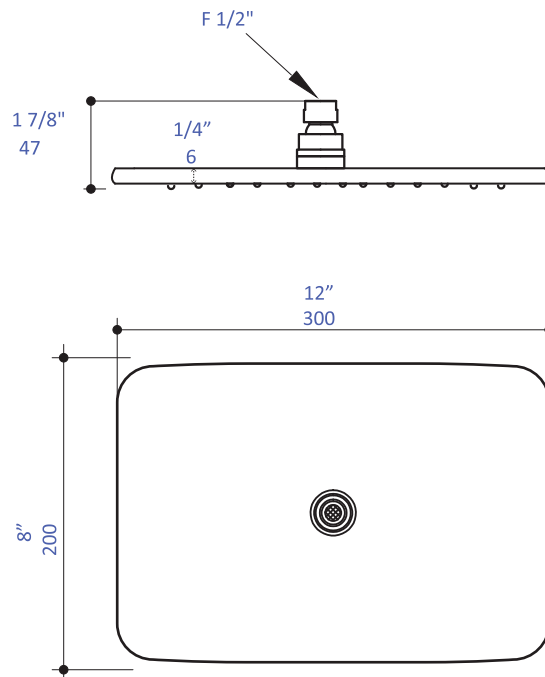
- Tilting rectangular rain shower head
- Stainless steel construction with 140 rubber nozzles
- Ceiling-mount or wall-mount installation
- Arm and flange sold separately
- Outfitted with a 1.75GPM flow regulator, with backflow prevention, Max. flow rate: 1.8GPM
- Maximum tilting angle: 19 degrees

### Finish Options:

- 10 - Polished Stainless Steel
- 21 - Brushed Stainless Steel
- 44 - Matte Black

### Codes + Standards:

- Meets and exceeds applicable national codes
- Meets Cal-green requirement
- Complies with CEC standard



### Recommend Accessories:

- Item #4171: Wall-mount oblong shower arm with flange
- Item #0169: Ceiling-mount round shower arm with flange
- Item #41PB1.L.O: Built-in pressure balancing mixer with lever handle and oblong backplate

LACAVA reserves the right to revise any dimension or information on this sheet without notice. Dimensions are nominal and may vary within an industry accepted tolerance of 1/4". Drawings provided herein are meant to give the user an idea of the product and are not made to scale. Location of plumbing is meant for reference, your specific application may vary.

Revised: 11/14/2023