

## Specifications:

**Installation:** wall mount  
**Exterior Dimensions:** W: 2" D: 5" H: 2 3/4"  
**Material:** brass

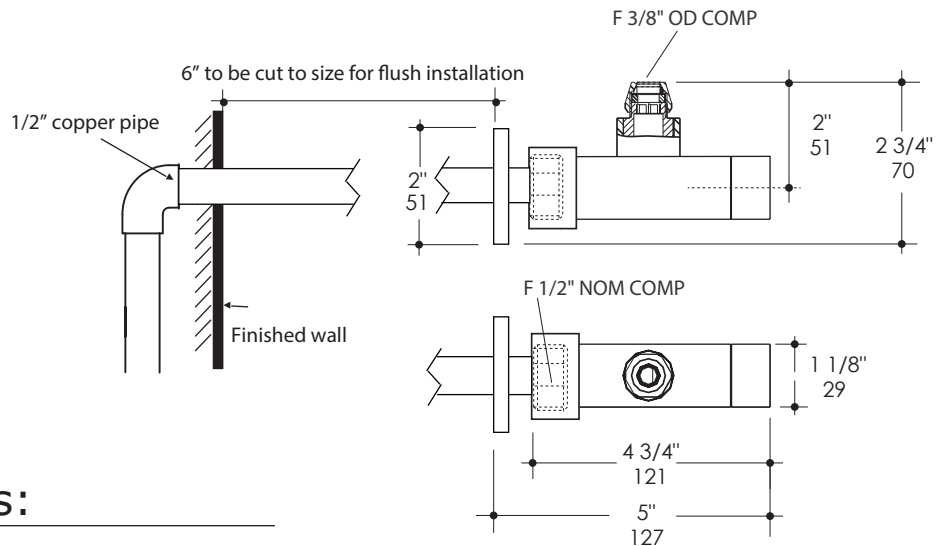
**Finishes:**

PS - polished brass	PN - polished nickel
51 - brushed brass	CR - polished chrome
BG - brushed gold	BK - black chrome
PB - polished bronze	GM - gun metal
NI - brushed nickel	TN - titanium
BB - brushed bronze	44 - matte black



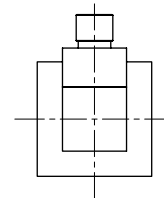
## Features:

- Wall-mount square angle valve with flange
- Brass construction
- 90° rotating angle
- Ceramic cartridge
- INLET: F 1/2" NOM COMP
- OUTLET: F 3/8" OD COMP
- Decorative cap cover for IN nut



## Recommended Items:

- R028 replacement cartridge



LACAVA reserves the right to revise any dimension or information on this sheet without notice. Dimensions are nominal and may vary within an industry accepted tolerance of 1/4". Drawings provided herein are meant to give the user an idea of the product and are not made to scale. Location of plumbing is meant for reference, your specific application may vary.  
 Revised: 5/4/2026