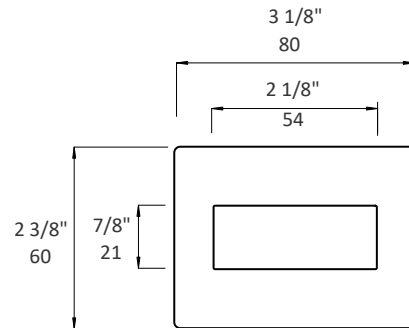


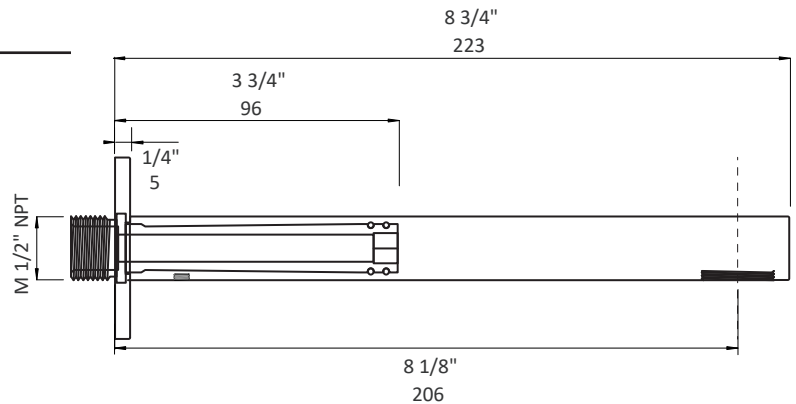
### Specifications:

|                             |  |
|-----------------------------|--|
| <b>Installation:</b>        | wall mount spout with squared plate  |
| <b>Exterior Dimensions:</b> | W: 3 1/8" D: 8 3/4" H: 2 3/8"  |
| <b>Material:</b>            | solid brass construction   |
| <b>Weight:</b>              | 2.5 lbs  |
| <b>Connection IN:</b>       | M 1/2 NPT  |
| <b>Water flow rate:</b>     | 5.4 GPM (43.5 PSI)   |
| <b>Finishes:</b>            | CR - polished chrome<br>PN - polished nickel<br>NI - brushed nickel<br>BG - brushed gold<br>44 - matte black |



### Features:

- wall-mount tub spout
- mixer valve sold separately
- easy adjustable installation

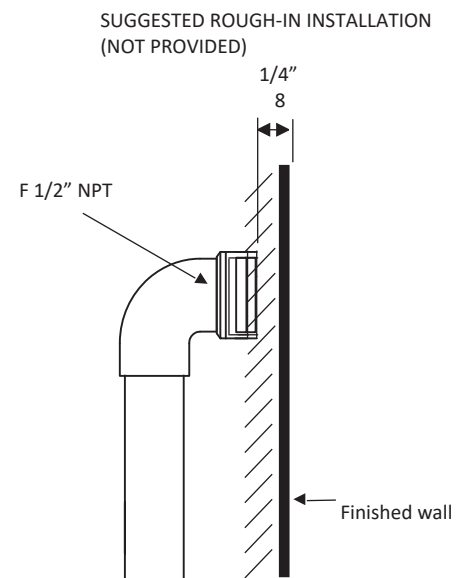


### Codes + Standards:

- Meets and exceeds applicable national codes and standards

### Recommended Items:

- 18PB1.L.S single lever pressure balanced mixer



LACAVA reserves the right to revise any dimension or information on this sheet without notice. Dimensions are nominal and may vary within an industry accepted tolerance of 1/4". Drawings provided herein are meant to give the user an idea of the product and are not made to scale. Location of plumbing is meant for reference, your specific application may vary. Revised: 08/16/2019