

Specifications:

Installation:	deck mount 1-hole, single lever
Exterior Dimensions:	H: 5 1/4" SPOUT: 4 7/8"
Material:	solid brass construction
Water use:	1.2 GPM
Pop-up:	yes
Finishes:	CR - polished chrome PN - polished nickel NI - brushed nickel BG - brushed gold 44 - matte black
Cutout Size:	Ø 1 3/8"
Accessories included:	24" flexible hot/cold water supply lines, pop-up drain



Features:

- European sized drain
- ceramic disk cartridge
- complements the Eleganza collection

Codes + Standards:

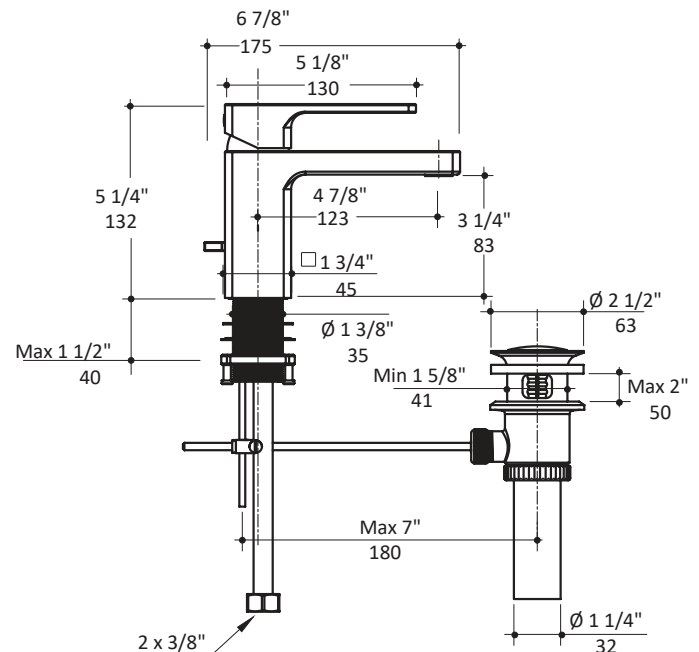
- Meets and exceeds applicable national codes and standards
 - ASME A112.18.1/CSA B125.1
 - NSF/ANSI/CAN61
 - NSF/ANSI/CAN372
 - CalGreen/CEC
- Compliant with California AB-100

ADA compliant when installed to specific requirements of this regulation



Recommended Items:

- Replacement parts:
 - R154 ceramic disc cartridge
 - R1803-AER replacement aerator
- European drain with overflow
 - 7100-16OF click-clack drain
 - 7100-13OF grid drain
 - 7100-12 pop-up drain



LACAVA reserves the right to revise any dimension or information on this sheet without notice. Dimensions are nominal and may vary within an industry accepted tolerance of 1/4". Drawings provided herein are meant to give the user an idea of the product and are not made to scale. Location of plumbing is meant for reference, your specific application may vary.

Revised: 01/25/2024