

LACAVA

FLUTTI

built-in thermostatic valve with
2-way diverter

16TH2.X.S, 16TH2S.X.S
16TH2.X.SF, 16TH2S.X.SF

Specifications:

Installation:	built-in wall mount	
Exterior Dimensions:	W: 5 1/8" H: 7 1/4"	
Material:	solid brass construction with thermostatic cartridge and diverter ceramic cartridge with 2-way out	
Water use:	7.1 GPM (43.5 PSI)	
Finishes:	CR - polished chrome	PB - polished bronze
	PN - polished nickel	GM - gun metal
	NI - brushed nickel	51 - brushed brass
	BG - brushed gold	BB - brushed bronze
	44 - matte black	TN - titanium
	PS - polished brass	BK - black chrome
Fittings as selected:	#VTH2.1 (non-sharing) + #16TH2.X.S-A (without flutes)	
	#VTH2.1 (non-sharing) + #16TH2.X.SF-A (with flutes)	
	#VTH2S (sharing) + #16TH2S.X.S-A (without flutes)	
	#VTH2S (sharing) + #16TH2S.X.SF-A (with flutes)	
Tile opening max size:	W: 4 3/8" H: 5 3/4"	



16TH2.X.SF (non-sharing)
16TH2S.X.SF (sharing)



16TH2.X.S (non-sharing)
16TH2S.X.S (sharing)

Features:

- Unibody thermostatic valve with 2-way diverter and OFF function
- Trims sold separately
#16TH2.X.S-A (without flutes) and #16TH2.X.SF-A (with flutes)
- Cross handles and rectangular backplate
- Non-sharing 2-way diverter valve with 180° rotating angle # VTH2.1
- Sharing 2-way diverter valve with 360° rotating angle # VTH2S
- 3/4" NPT water in and 1/2" OUT connections (outlet B and C)
- Anti-scald protection & temperature regulation
- Water temperature set to 100°F
- Screwdriver service stops
- Separate check valves with filters for easy servicing
- Finished wall must be flush with mudguard as marked
- 1 1/8" extension kit available

Codes + Standards

- Meets and exceeds applicable national codes and standards
 - ASME A112.18.1/CSA B125.1
 - ASSE 1016/ASME A112.1016/CSA B125.16.
 - CAL-Green compliant (non-sharing valves)

ADA compliant when installed to specific requirements of this regulation

Recommended Items:

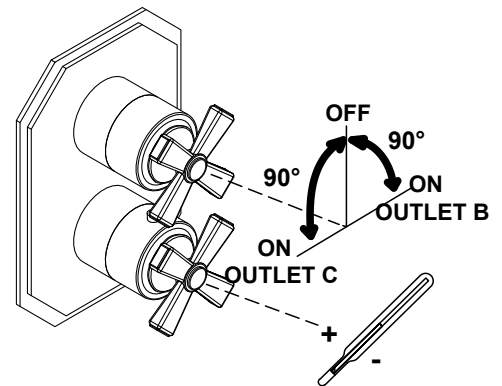
- Replacement parts:
 - VD2-C- diverter cartridge, non-sharing
 - VD2S-C- diverter cartridge, sharing
 - R039 thermostatic cartridge
 - VTH1.1-EX 1 1/8" extension kit for non-sharing valve
 - VTH3.1-EX 1 1/8" extension kit for sharing valve

LACAVA reserves the right to revise any dimension or information on this sheet without notice. Dimensions are nominal and may vary within an industry accepted tolerance of 1/4". Drawings provided herein are meant to give the user an idea of the product and are not made to scale.

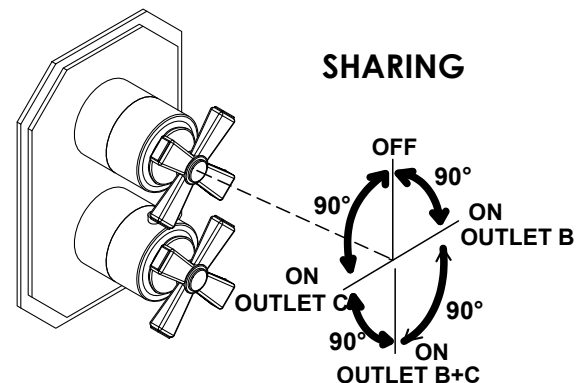
Revised: 1/16/26



NON-SHARING

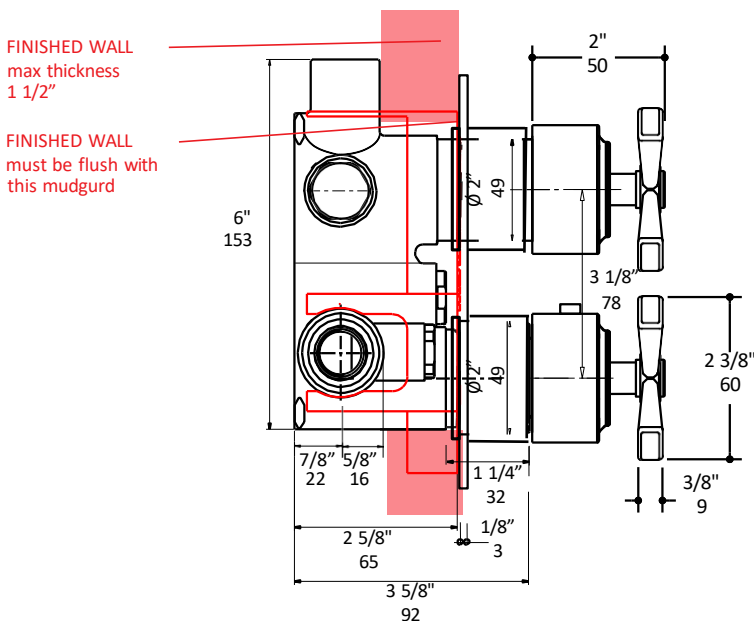
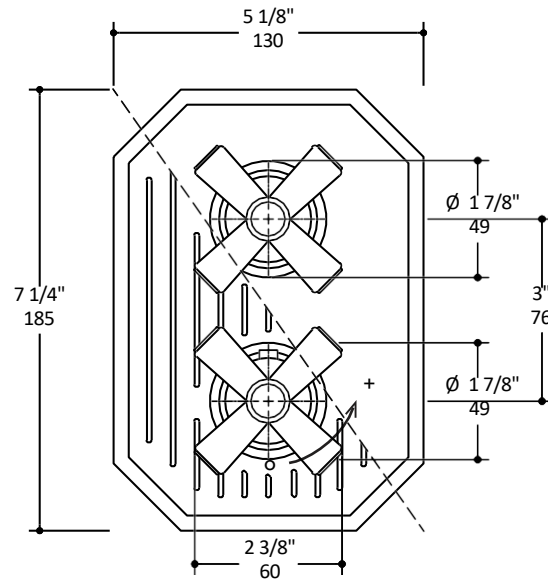
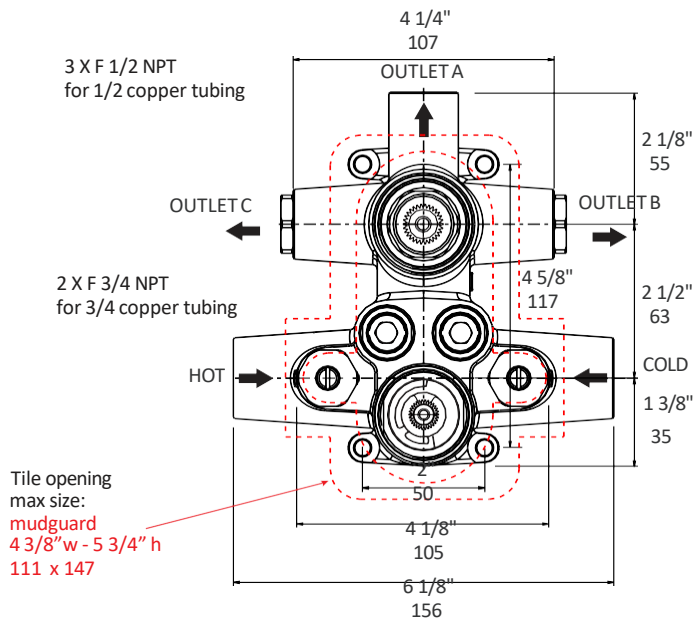
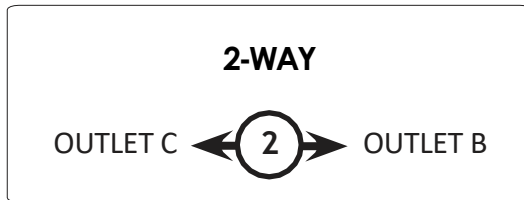


SHARING



built-in thermostatic valve with
2-way diverter

16TH2.X.S, 16TH2S.X.S
16TH2.X.SF, 16TH2S.X.SF



LACAVA reserves the right to revise any dimension or information on this sheet without notice. Dimensions are nominal and may vary within an industry accepted tolerance of 1/4". Drawings provided herein are meant to give the user an idea of the product and are not made to scale.

Revised: 1/16/26