

# LACAVA

# FLUTTI

built-in thermostatic valve  
with volume valve

## 16TH1.X.S, 16TH1.X.SF



16TH1.X.SF



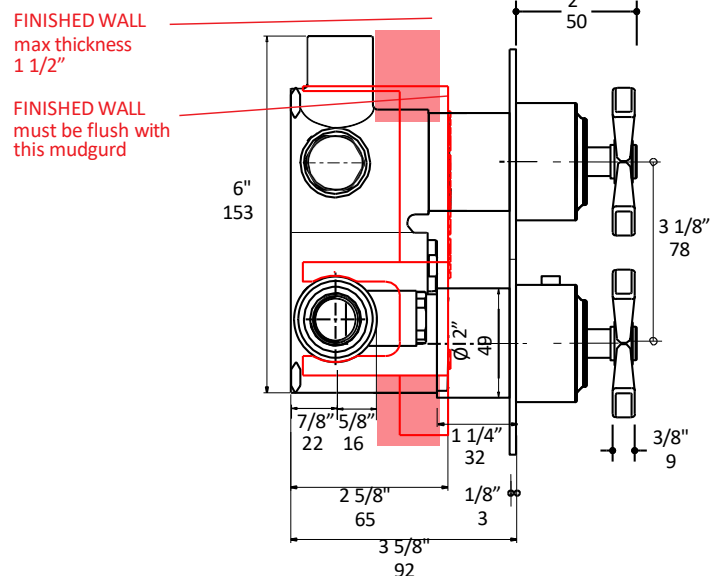
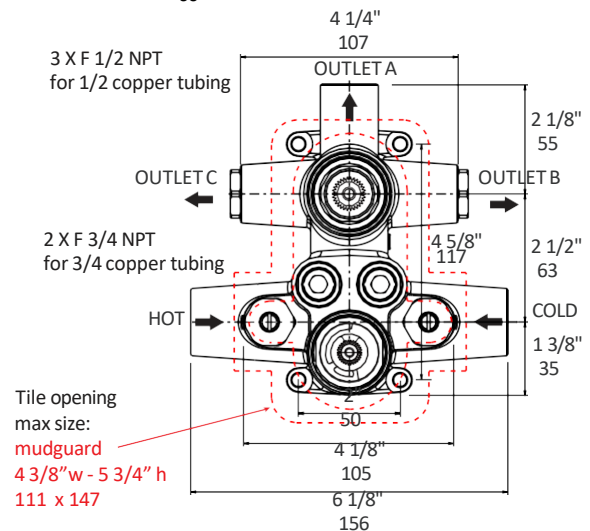
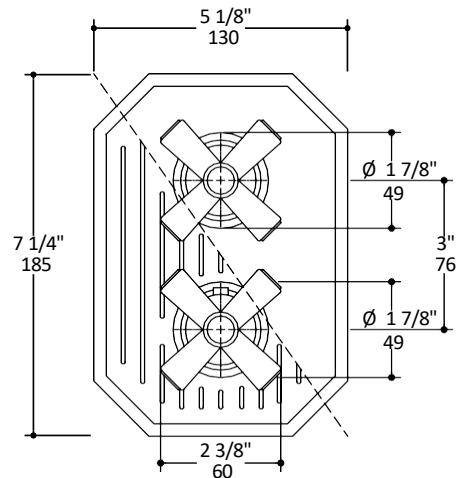
16TH1.X.S

## Specifications:

|                             |  |                      |
|-----------------------------|--|----------------------|
| <b>Installation:</b>        | built-in wall mount  |                      |
| <b>Exterior Dimensions:</b> | W: 5 1/8" H: 7 1/4"  |                      |
| <b>Material:</b>            | solid brass construction with thermostatic cartridge, and 90 ° ceramic cartridge |                      |
| <b>Water use:</b>           | 7.1 GPM (43.5 PSI)   |                      |
| <b>Finishes:</b>            | PS - polished brass  | PN - polished nickel |
|                             | 51 - brushed brass   | CR - polished chrome |
|                             | BG - brushed gold  | BK - black chrome    |
|                             | PB - polished bronze   | GN - gun metal       |
|                             | NI - brushed nickel  | TN - titanium        |
|                             | BB - brushed bronze  | 44 - matte black     |
| <b>Fittings included:</b>   | Rough-in # VTH1.1  |                      |
|                             | trim # 16TH1.X.S-A (without flutes)  |                      |
|                             | trim # 16TH1.X.SF-A (with flutes)  |                      |

## Features:

- Uni-body thermostatic valve with volume valve
- Trims sold separately
- Cross handles and rectangular back plate
- 3/4" NPT water IN and 1/2" OUT connections (outlet A)
- Anti-scald protection & temperature regulation water
- Temperature set to 100°F
- Volume valve with 90° rotating angle
- Screwdriver service stops
- Separate check valves with filters for easy servicing
- Finished wall must be flush with mudguard as marked
- 1 1/8" extension kit available



## Codes + Standards:

- Meets and exceeds applicable national codes and standards
- ASME A112.18.1/CSA B125.1
- ASSE 1016/ASME A112.1016/CSA B125.16



compliant when installed to specific requirements of this regulation

## Recommended Items:

- Replacement parts:
  - # VTH1.1 rough-in
  - # 16TH1.X.S-A trim without flutes, # 16TH1.X.SF-A trim with flutes
  - R039 thermostatic cartridge
  - VD1-C ceramic cartridge
  - # VTH1.1-EX 1 1/8" extension kit

LACAVA reserves the right to revise any dimension or information on this sheet without notice. Dimensions are nominal and may vary within an industry accepted tolerance of 1/4". Drawings provided herein are meant to give the user an idea of the product and are not made to scale.

Revised: 1/16/26