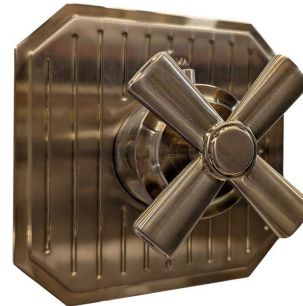
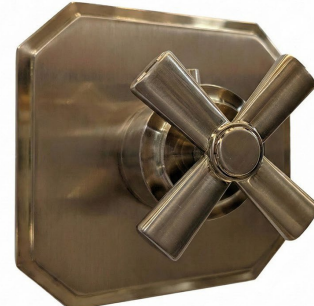


Specifications:

Installation:	built-in wall mount	
Exterior Dimensions:	W: 5" x 5"	
Material:	Solid brass construction with Vernet thermostatic cartridge	
Water use:	10 GPM (43.5 PSI)	
Finishes:	PS - polished brass	PN - polished nickel
	51 - brushed brass	CR - polished chrome
	BG - brushed gold	BK - black chrome
	PB - polished bronze	GN - gun metal
	NI - brushed nickel	TN - titanium
	BB - brushed bronze	44 - matte black
Fittings included:	Rough-in # VTH0.1 trim #16TH0.X.S-A (without flutes) trim #16TH0.X.SF-A (with flutes)	



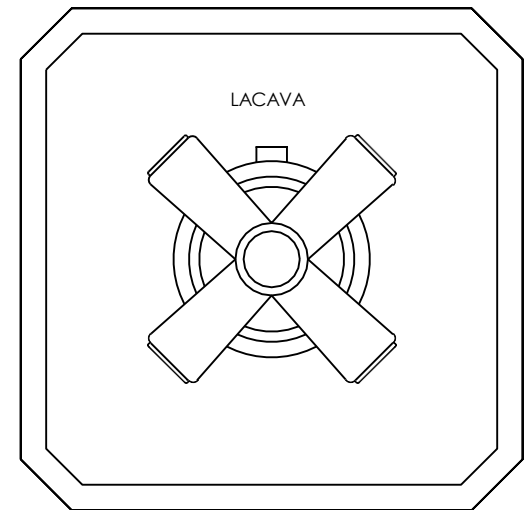
16TH0.X.SF



16TH0.X.S

Features:

- Thermostatic valve
- Trims sold separately
#16TH0.X.S-A (without flutes)
#16TH0.X.SF-A (with flutes)
- Cross handle and square backplate
- 3/4" NPT water IN and OUT connections
- Anti-scald protection & temperature
- Regulation water temperature set to 100°F
- Screwdriver service stops
- Finished wall must be flush with mudguard as marked
- VTH0.1-EX extension kit available



16TH0.X.S

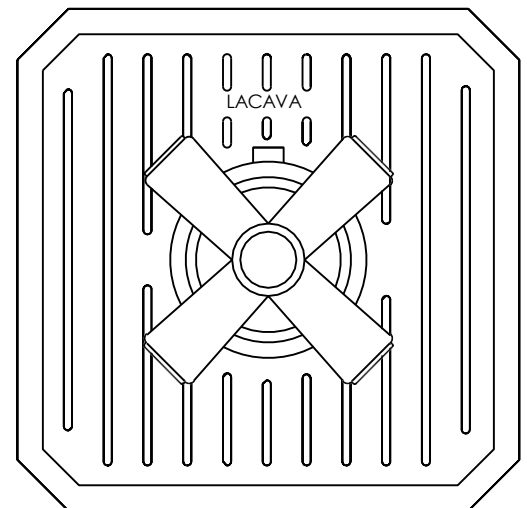
Codes + Standards:

- Meets and exceeds applicable national codes and standards
- ASME A112.18.1/CSA B125.1
- ASSE 1016/ASME A112.1016/CSA B125.16

ADA compliant when installed to specific requirements of this regulation

Recommended Items:

- Replacement parts:
 - VTH0.1 rough-in
 - 16TH0.X.S trim without flutes, 16TH0.X.SF trim with flutes
 - R039 Vernet thermostat cartridge
 - VTH0.1-EX 1 1/8" extension kit

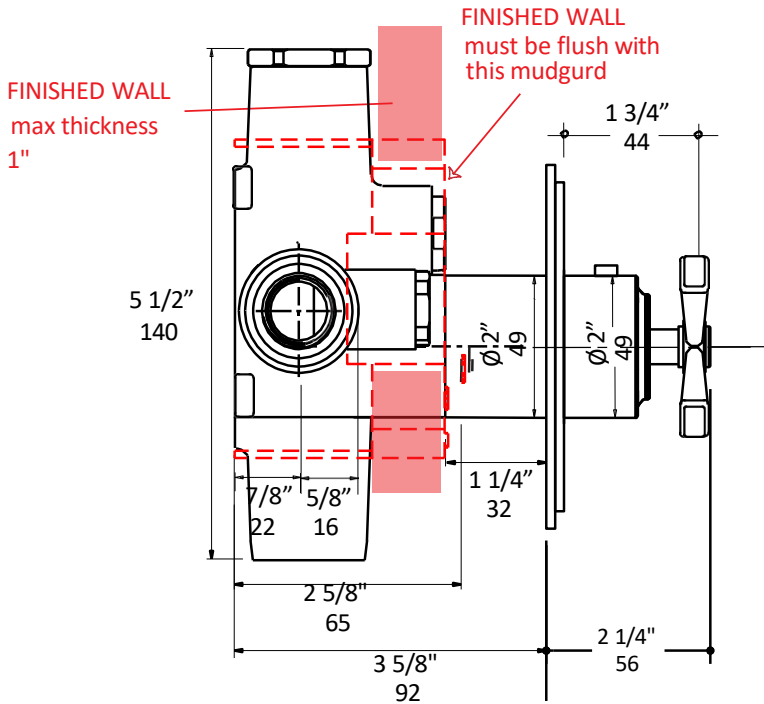
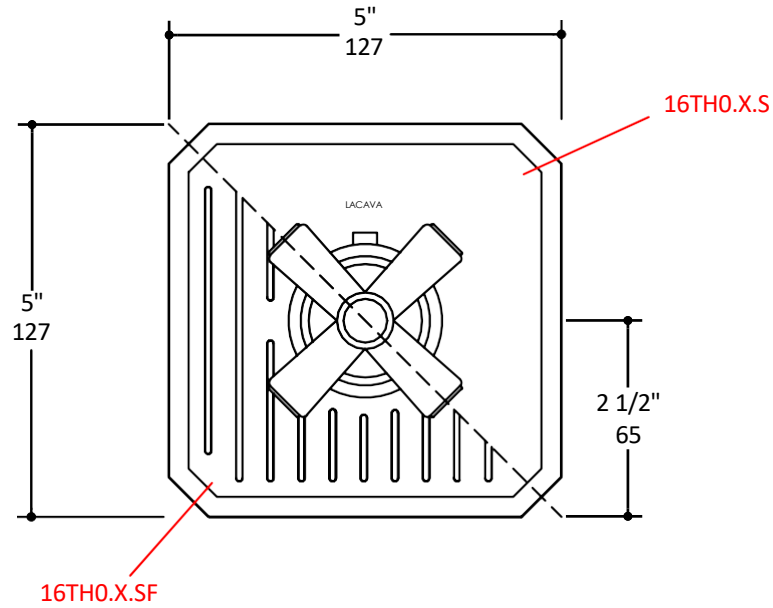


16TH0.X.SF

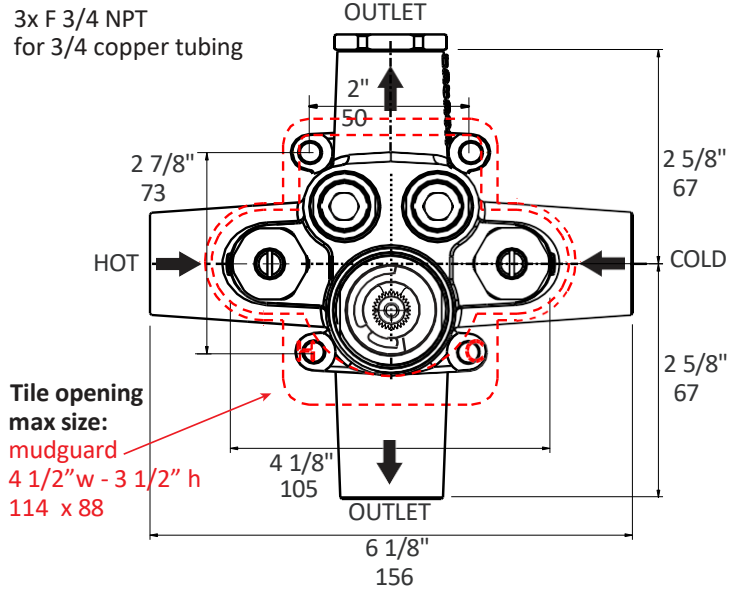
LACAVA reserves the right to revise any dimension or information on this sheet without notice. Dimensions are nominal and may vary within an industry accepted tolerance of 1/4".

Drawings provided herein are meant to give the user an idea of the product and are not made to scale.

Revised: 1/15/26



3x F 3/4 NPT
 for 3/4 copper tubing



LACAVA reserves the right to revise any dimension or information on this sheet without notice. Dimensions are nominal and may vary within an industry accepted tolerance of 1/4". Drawings provided herein are meant to give the user an idea of the product and are not made to scale.

Revised: 1/15/26