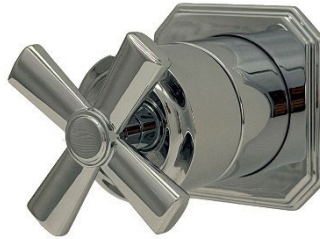


# LACAVA

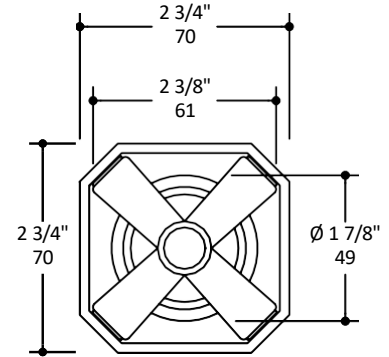


## FLUTTI

built-in stop valve  
16ST.X.S-CC/CL

### Specifications:

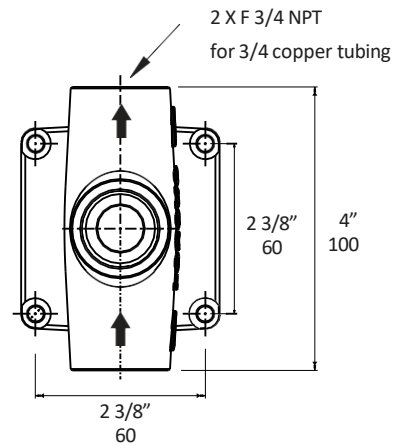
<b>Installation:</b>	built-in wall mount	
<b>Exterior Dimensions:</b>	W: 2 3/4" H: 2 3/4"	
<b>Material:</b>	solid brass construction ceramic cartridge	
<b>Water use:</b>	12 GPM (43.5 PSI)	
<b>Finishes:</b>	PS - polished brass	PN - polished nickel
	51 - brushed brass	CR - polished chrome
	BG - brushed gold	BK - black chrome
	PB - polished bronze	GN - gun metal
	NI - brushed nickel	TN - titanium
	BB - brushed bronze	44 - matte black



**Fittings included:** Rough-in # VST-CL or VST-CC and trim #16ST.X.S-A

### Features:

- stop valve
- square backplate
- cross handle
- opens clockwise VST-CL or counterclockwise VST-CC (standard)
- volume valve with 90° rotating angle
- 3/4" NPT water IN and OUT connections
- 1" extension kit available



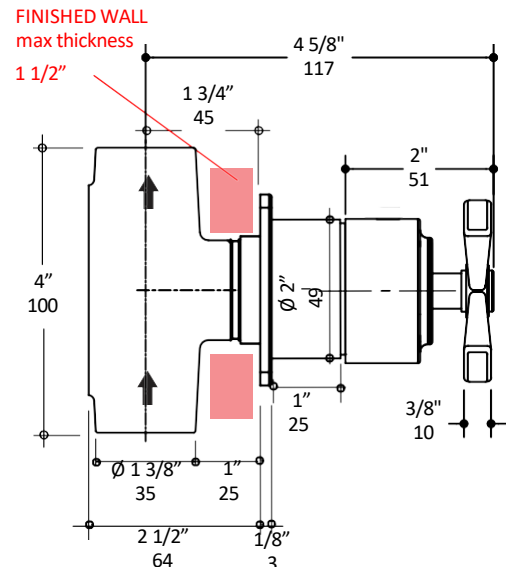
### Codes + Standards:

- Meets and exceeds applicable national codes and standards
- CAL – Green compliant

**ADA** compliant when installed to specific requirements of this regulation

### Recommended Items:

- Replacement parts:
  - VST rough-in
  - 16ST.X.S-A trim
  - VST-C ceramic cartridge
  - VST-EX 1" extension kit



LACAVA reserves the right to revise any dimension or information on this sheet without notice. Dimensions are nominal and may vary within an industry accepted tolerance of 1/4". Drawings provided herein are meant to give the user an idea of the product and are not made to scale.

Revised: 1/6/26