

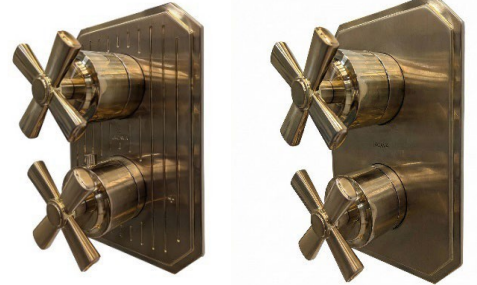
# LACAVA

**FLUTTI**  
built-in pressure balanced progressive mixer  
w/2-way diverter

**16PBP2.X.S, 16PBP2S.X.S**  
**16PBP2.X.SF, 16PBP2S.X.SF**

## Specifications:

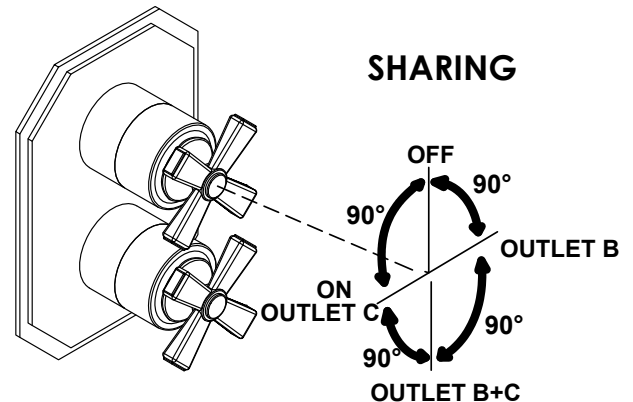
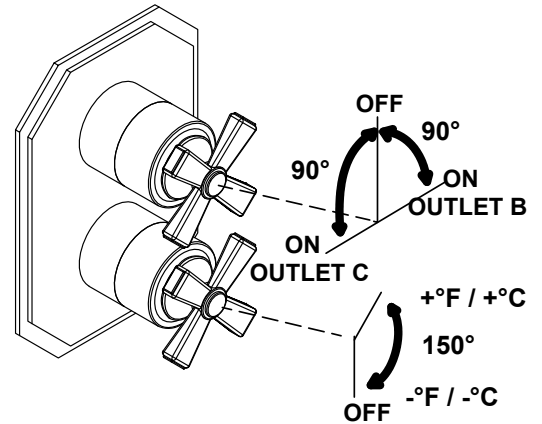
<b>Installation:</b>	built-in wall mount	
<b>Exterior Dimensions:</b>	W: 5 1/8" H: 7 1/4"	
<b>Material:</b>	solid brass construction with progressive ceramic cartridge and 2-way diverter cartridge	
<b>Water use:</b>	4.2 GPM (43.5 PSI)	
<b>Finishes:</b>	CR - polished chrome	PB - polished bronze
	PN - polished nickel	GM - gun metal
	NI - brushed nickel	51 - brushed brass
	BG - brushed gold	BB - brushed bronze
	44 - matte black	TN - titanium
	PS - polished brass	BK - black chrome
<b>Fittings as selected:</b>	#VPBP2 (non sharing) + #16PBP2.X.S-A (without flutes)	
	#VPBP2 (non-sharing) + #16PBP2.X.SF-A (with flutes)	
	#VPBP2S (sharing) + #16PBP2.X.S-A (without flutes)	
	#VPBP2S (sharing) + #16PBP2.X.SF-A (with flutes)	
<b>Tile opening max size:</b>	W: 4" H: 5 3/4"	



**16PBP2.X.SF (non-sharing)**    **16PBP2.X.S (non-sharing)**  
**16PBP2S.X.SF (sharing)**        **16PBP2S.X.S (sharing)**

## Features:

- unibody pressure balancing progressive valve with 2-way diverter and OFF function
- trim sold separately
- # 16PBP2.X.S-A (without flutes)
- # 16PBP2.X.SF-A (with flutes)
- cross handles and rectangular backplate
- non-sharing 2-way diverter valve with 180° rotating angle # VPBP2
- sharing 2-way diverter valve with 360° rotating angle # VPBP2S
- anti-scald protection & temperature regulation for flow rates as low as 1.75 GPM
- screwdriver service stops
- finished wall must be flush with mudguard as marked
- 1/2" Male NPT inlets & outlets, optional sweat connection
- 1" extension kit available



## Codes + Standards:

- Meets and exceeds applicable national codes
  - ASME A112.18.1/CSA B125.1
  - ASSE 1016/ASME A112.1016/CSA B125.16
- CAL-Green compliant (non-sharing valves)

**ADA** compliant when installed to specific requirements of this regulation

## Recommended Items:

- Replacement parts:
  - VPBP-C ceramic cartridge
  - VD2-C- diverter cartridge, non-sharing
  - VD2S-C- diverter cartridge, sharing
  - VPBP1-2-EX 1" extension kit for non-sharing valve
  - VPBP3-EX 1" extension kit for sharing valve

LACAVA reserves the right to revise any dimension or information on this sheet without notice. Dimensions are nominal and may vary within an industry accepted tolerance of 1/4". Drawings provided herein are meant to give the user an idea of the product and are not made to scale.

Revised: 1/16/26

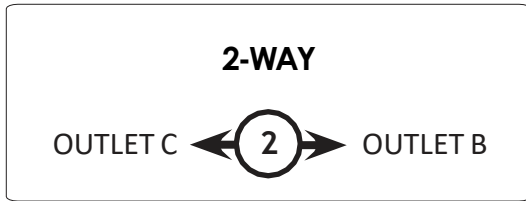
# LACAVA

# FLUTTI

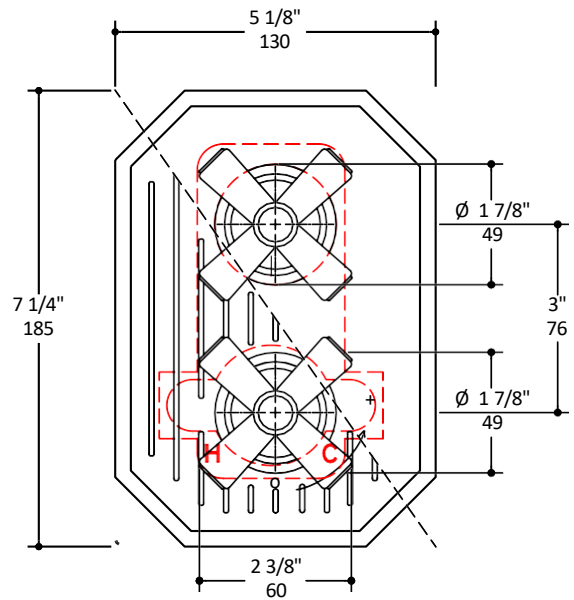
built-in pressure balanced progressive mixer  
w/2-way diverter

16PBP2.X.S, 16PBP2S.X.S

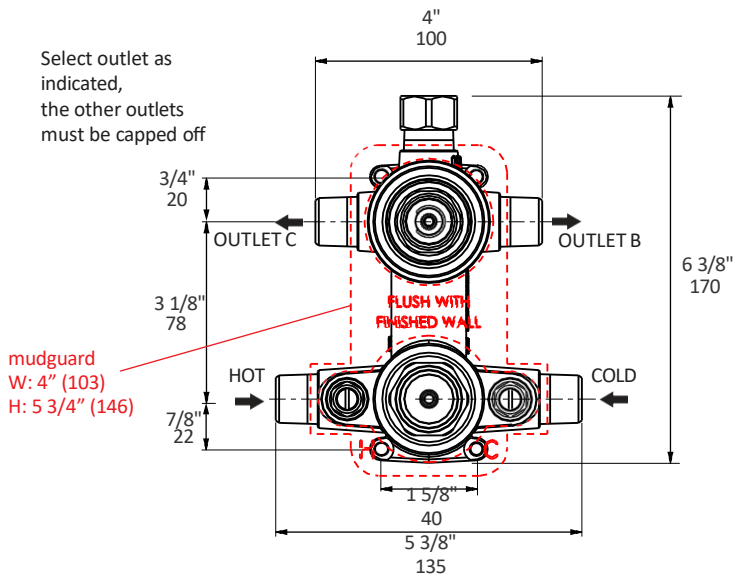
16PBP2.X.SF, 16PBP2S.X.SF



Tile opening max size: 4"W x 5 3/4"H

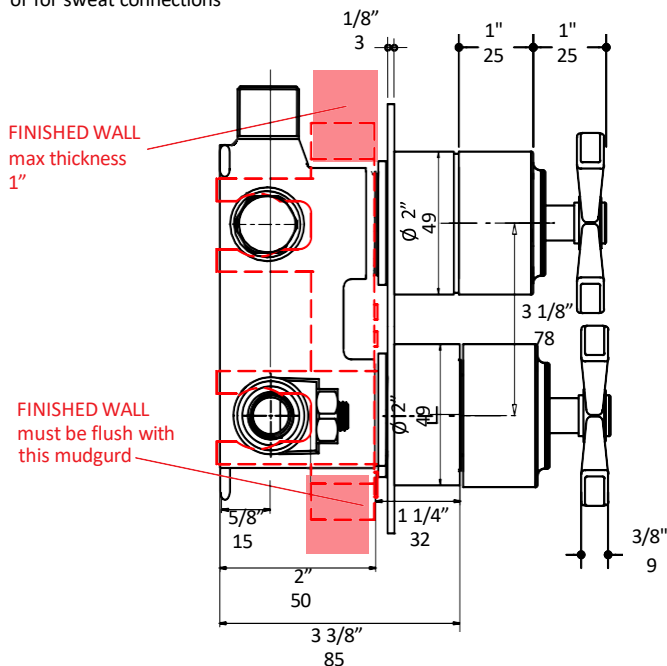


Select outlet as indicated, the other outlets must be capped off



mudguard  
W: 4" (103)  
H: 5 3/4" (146)

5 X M 1/2 NPT  
for 1/2 copper tubing  
or for sweat connections



LACAVA reserves the right to revise any dimension or information on this sheet without notice. Dimensions are nominal and may vary within an industry accepted tolerance of 1/4". Drawings provided herein are meant to give the user an idea of the product and are not made to scale.

Revised: 1/16/26