

LACAVA

FLUTTI built-in pressure balanced progressive mixer w/1-way outlet 16PBP1.X.S, 16PBP1.X.SF

Specifications:

Installation:	built-in wall mount	
Exterior Dimensions:	W: 5 1/8" H: 7 1/4"	
Material:	Solid brass construction with progressive ceramic cartridge and 1-way diverter cartridge	
Water use:	4.2 GPM (43.5 PSI)	
Finishes:	PS - polished brass	PN - polished nickel
	51 - brushed brass	CR - polished chrome
	BG - brushed gold	BK - black chrome
	PB - polished bronze	GN - gun metal
	NI - brushed nickel	TN - titanium
	BB - brushed bronze	44 - matte black
Fittings included:	Rough-in # VPBP1 trim # 16PBP1.X.S-A (without flutes) trim # 16PBP1.X.SF-A (with flutes)	
Tile opening max size:	W: 4" H: 5 3/4"	



16PBP1.X.SF



16PBP1.X.S

Features:

- unibody pressure balancing progressive valve with 1-way diverter and OFF function
- trims sold separately
 - # 16PBP1.X.S-A (without flutes)
 - # 16PBP1.X.SF-A (with flutes)
- cross handles and rectangular backplate
- 1-way diverter valve with 90° rotating angle
- anti-scald protection & temperature regulation for flow rates as low as 1.75 GPM
- screwdriver service stops
- finished wall must be flush with mudguard as marked
- 1/2" Male NPT inlets & outlets, optional sweat connection
- 1" extension kit available

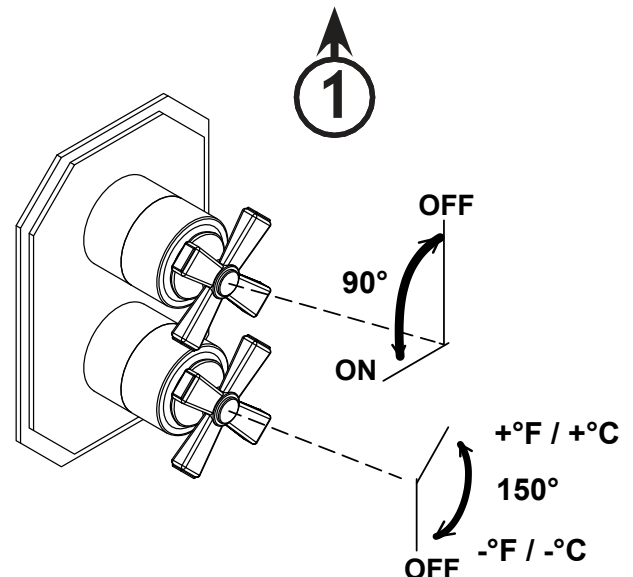
Codes + Standards:

- Meets and exceeds applicable national codes
 - ASME A112.18.1/CSA B125.1
 - ASSE 1016/ASME A112.1016/CSA B125.16
- CAL-Green compliant

ADA compliant when installed to specific requirements of this regulation

Recommended Items:

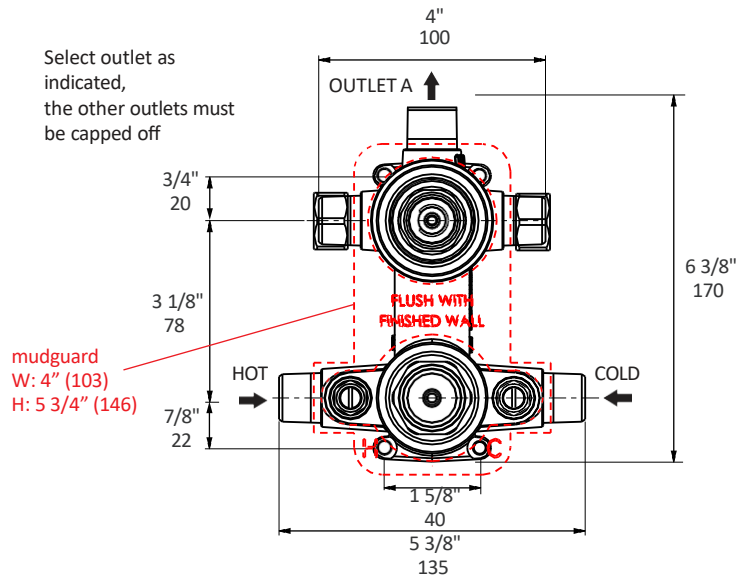
- Replacement parts:
 - VPBP1 rough-in
 - 16PBP1.X.S-A trim (without flutes)
 - 16PBP1.X.SF-A trim (with flutes)
 - VPBP-C ceramic cartridge
 - VD1-C diverter cartridge
 - VPBP1-2-EX 1" extension kit



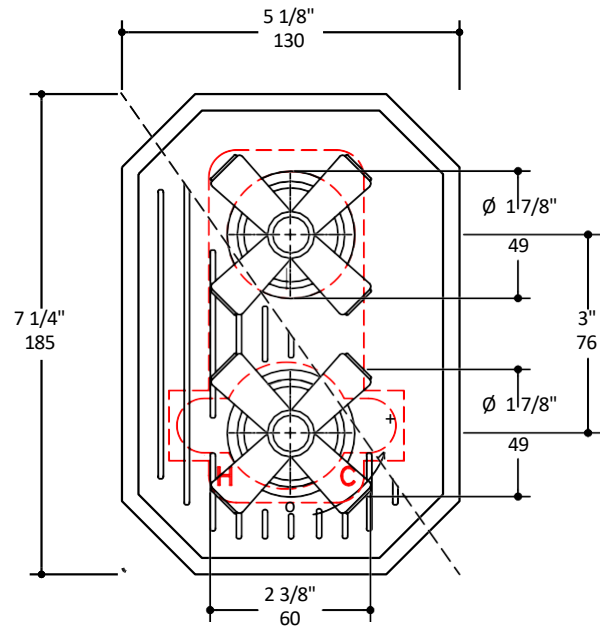
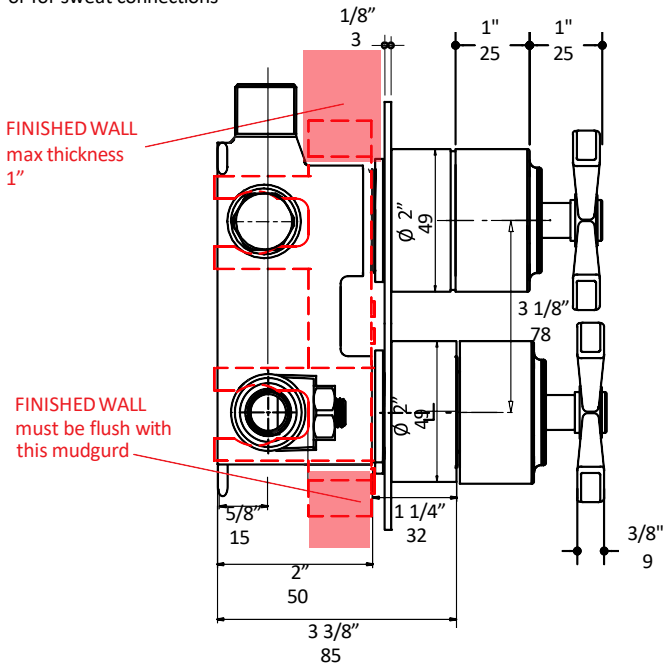
LACAVA reserves the right to revise any dimension or information on this sheet without notice. Dimensions are nominal and may vary within an industry accepted tolerance of 1/4". Drawings provided herein are meant to give the user an idea of the product and are not made to scale. Location of plumbing is meant for reference, your specific application may vary. Revised: 1/16/2026

built-in pressure balanced progressive mixer
w/1-way outlet

16PBP1.X.S, 16PBP1.X.SF



5 X M 1/2 NPT
for 1/2 copper tubing
or for sweat connections



Tile opening max size: 4"W x 5 3/4"H

LACAVA reserves the right to revise any dimension or information on this sheet without notice. Dimensions are nominal and may vary within an industry accepted tolerance of 1/4". Drawings provided herein are meant to give the user an idea of the product and are not made to scale. Location of plumbing is meant for reference, your specific application may vary. Revised: 1/16/2026