



Specifications:

Installation:	built-in wall mount	
Exterior Dimensions:	W: 2 3/4" H: 2 3/4"	
Material:	solid brass construction ceramic cartridge	
Water use:	10 GPM (43.5 PSI)	
Finishes:	PS - polished brass	PN - polished nickel
	51 - brushed brass	CR - polished chrome
	BG - brushed gold	BK - black chrome
	PB - polished bronze	GN - gun metal
	NI - brushed nickel	TN - titanium
	BB - brushed bronze	44 - matte black

Fittings as selected:	- non-sharing 2-way diverter rough-in #VD2
	- sharing 2-way diverter rough-in #VD2S
	- non-sharing 3-way diverter rough-in #VD3
	- sharing 3-way diverter rough-in #VD3S
	- universal trim 16D2/3.X.S

Tile opening max size: \varnothing 2 1/2"

Features:

- # 16D2.X.S non-sharing 2-way diverter with OFF function operating angle 90°, total turning angle 180° (outlet B and C)
- # 16D2S.X.S sharing 2-way diverter with OFF function operating angle 90°, total turning angle 360° (outlet B, B+C and C)
- # 16D3.X.S non-sharing 3-way diverter with OFF function operating angle 60°, total turning angle 360° (outlet B, A, and C)
- # 16D3S.X.S sharing 3-way diverter with OFF function operating angle 60°, total turning angle 360° (outlet B, B+A, A, C+A and C)
- cross handle and square backplate
- 1/2" NPT water IN and OUT connection
- 1" extension kit available

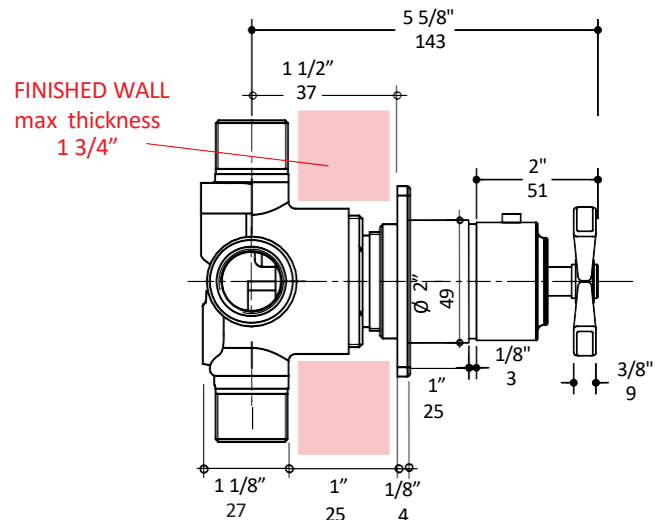
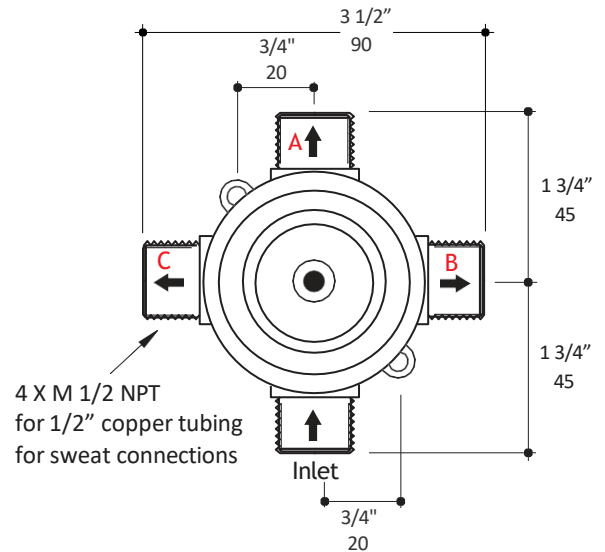
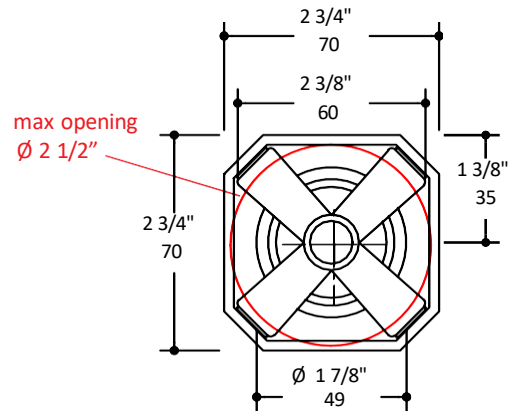
Codes + Standards:

- Meets and exceeds applicable national codes and standards
- CAL - Green compliant

ADA compliant when installed to specific requirements of this regulation

Recommended Items:

- Replacement parts:
 - VD2-C ceramic cartridge for 2-way diverter, non-sharing
 - VD2S-C ceramic cartridge for 2-way diverter, sharing
 - VD3-C ceramic cartridge for 3-way diverter, non-sharing
 - VD3S-C ceramic cartridge for 3-way diverter, sharing
 - VD2_3-EX 1" extension kit



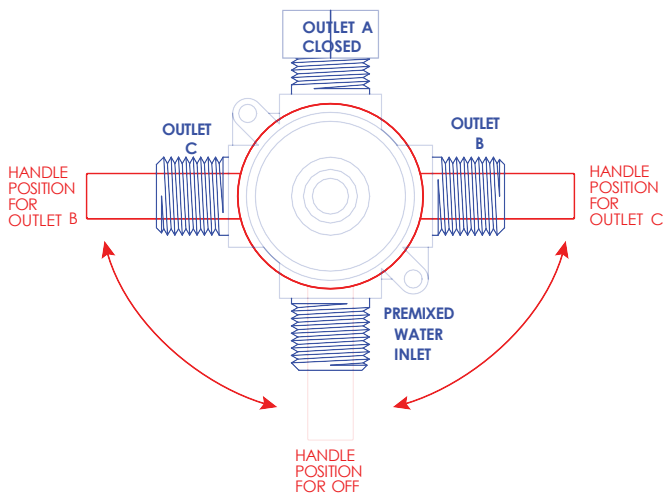
LACAVA reserves the right to revise any dimension or information on this sheet without notice. Dimensions are nominal and may vary within an industry accepted tolerance of 1/4". Drawings provided herein are meant to give the user an idea of the product and are not made to scale.

Revised: 1/7/26

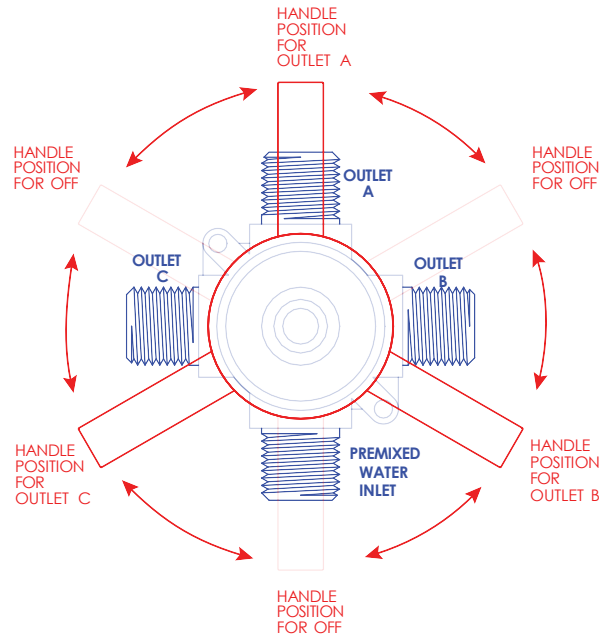
IMPORTANT: Assigning fixtures to outlets is at the client's discretion, all connections to selected outlets must be tested before the walls are closed and finished.

HANDLE POSITION FOR OUTLETS

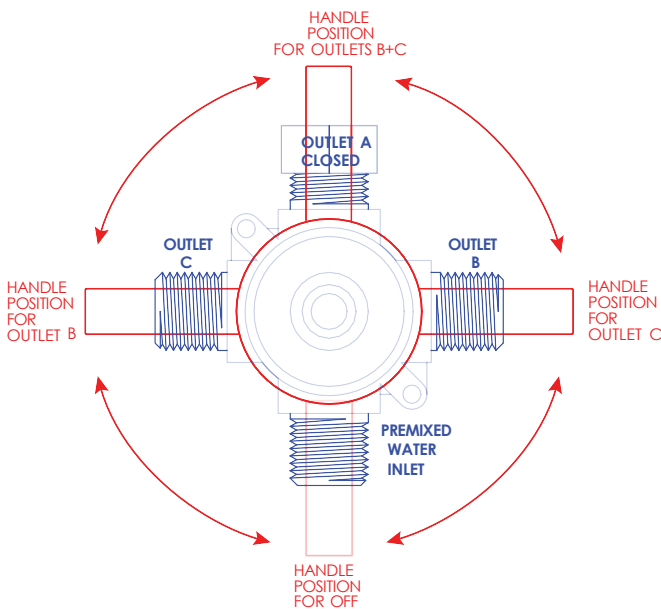
2-WAY DIVERTER - NON-SHARING VD2 - 180° ROTATION



3-WAY DIVERTER - NON-SHARING VD3 - 360° ROTATION



2-WAY DIVERTER - SHARING VD2S - 360° ROTATION



3-WAY DIVERTER - SHARING VD3S - 360° ROTATION

