

### Specifications:

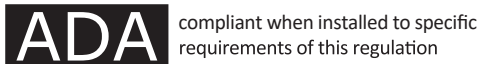
<b>Installation:</b>	Floor standing 1-hole, single lever	
<b>Dimensions:</b>	H: 41 5/8" SPOUT: 11"	
<b>Material:</b>	Solid brass construction	
<b>Water use:</b>	4.35 gpm (43.5 psi)	
<b>Finishes:</b>	PS - polished brass	PN - polished nickel
	51 - brushed brass	CR - polished chrome
	BG - brushed gold	BK - black chrome
	PB - polished bronze	GN - gun metal
	NI - brushed nickel	TN - titanium
	BB - brushed bronze	44 - matte black
<b>Weight:</b>	11.1 lbs	
<b>Accessories included:</b>	30 1/2" flexible hot/cold water supply lines with 3/8" compression - 1/2" F SWT connectors	
<b>Spout Options:</b>	1695-SP no flutes	
<b>(Sold separately)</b>	1695-SPF with flutes	
<b>Handle Options:</b>	1695-HT T-shaped no flutes	
<b>(Sold separately)</b>	1695-HTF T-shaped with flutes	
	1695-HJ J-shaped no flutes	
	1695-HJF J-shaped with flutes	
	1695-HP drop-shaped no flutes	
	1695-HPF drop-shaped with flutes	

### Features:

- 90° rotating two-way diverter and hand-held shower head with 59" flexible hose
- Brass construction with single ceramic disc cartridge
- Complements the Flutti collection

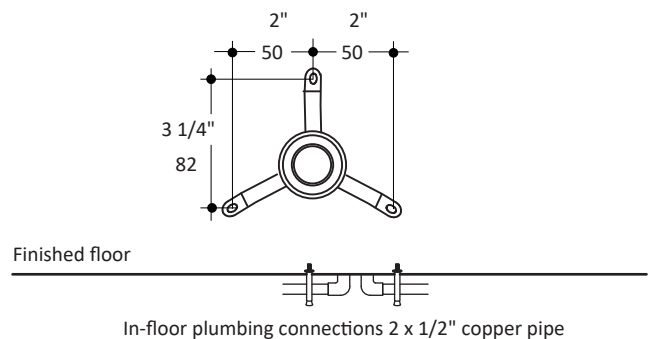
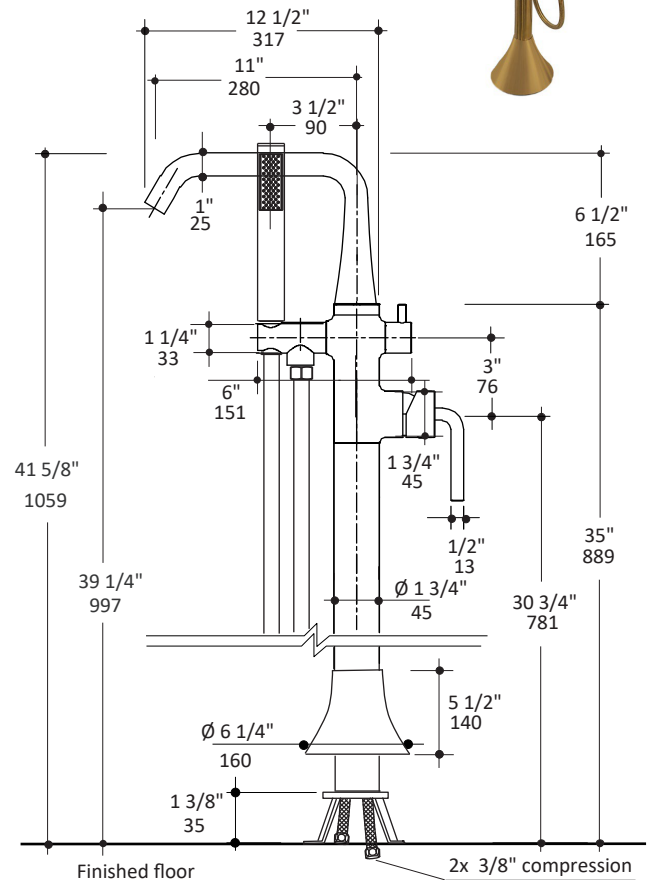
### Codes + standards:

- Meets and exceeds applicable national codes and standards
- Cal-green compliant



### Recommended items:

- Replacement parts:
  - R1595S-ceramic disc cartridge
  - A00045-59" flexible shower hose
  - 1560 - Hand-held shower head
  - 1595S-D - Replacement diverter cartridge
  - 1695-AER - Replacement aerator



LACAVA reserves the right to revise any dimension or information on this sheet without notice. Dimensions are nominal and may vary within an industry accepted tolerance of 1/4". Drawings provided herein are meant to give the user an idea of the product and are not made to scale. Location of plumbing is meant for reference, your specific application may vary.

Revised: 1/26/2026