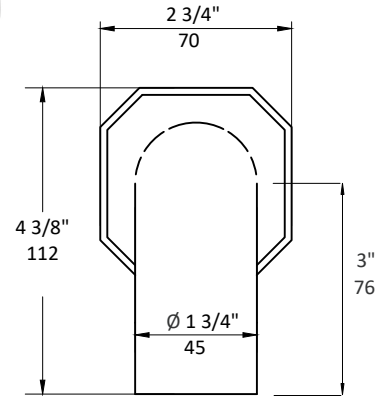




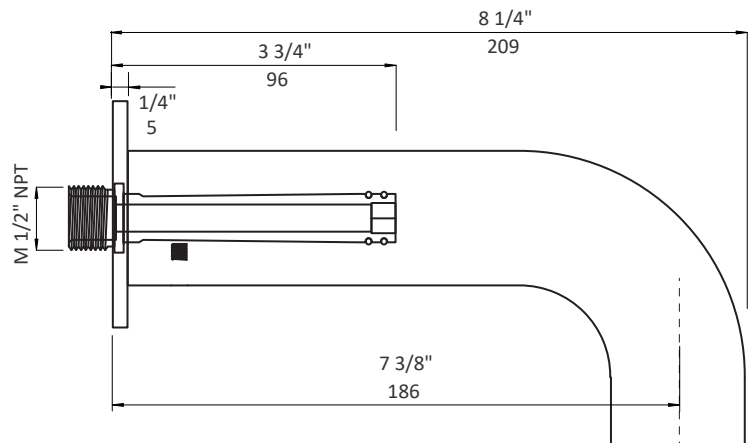
Specifications:

Installation:	wall mount spout with square plate
Exterior Dimensions:	2 3/4" D: 8 1/4" H: 4 3/8"
Material:	solid brass construction
Weight:	2.5 lbs
Connection IN:	M 1/2" NPT
Water flow rate:	6 GPM (43.5 PSI)
Finishes:	CR - polished chrome PN - polished nickel NI - brushed nickel BG - brushed gold 44 - matte black PS - polished brass PB - polished bronze GM - gun metal 51 - brushed brass BB - brushed bronze TN - titanium BK - black chrome



Features:

- wall-mount tub spout
- mixer valve sold separately
- easy adjustable installation



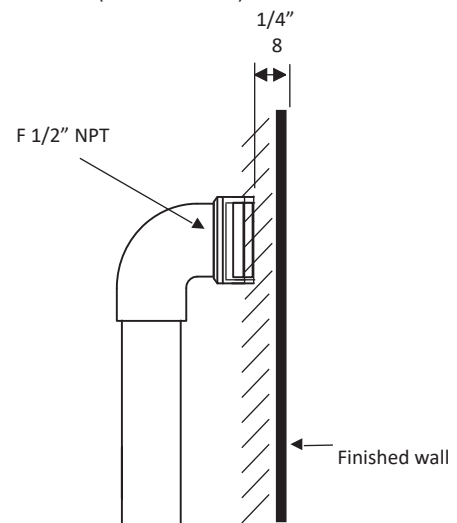
Codes + Standards:

- Meets and exceeds applicable national codes and standards

Recommended Items:

- 16PBP series - Pressure balanced mixers
- 16PBP1 series - Pressure balanced mixers with volume
- 16ST series - Built-in stop valves
- 16TH0 series - Built-in thermostatic valves
- 16TH1 series - Built-in thermostatic valves with volume

SUGGESTED ROUGH-IN INSTALLATION
(NOT PROVIDED)



LACAVA reserves the right to revise any dimension or information on this sheet without notice. Dimensions are nominal and may vary within an industry accepted tolerance of 1/4". Drawings provided herein are meant to give the user an idea of the product and are not made to scale. Location of plumbing is meant for reference, your specific application may vary.
Revised: 04/01/2026