

LACAVA

CIGNO built-in thermostatic valve with 3-way diverter 15TH3.C.S, 15TH3S.C.S

Specifications:

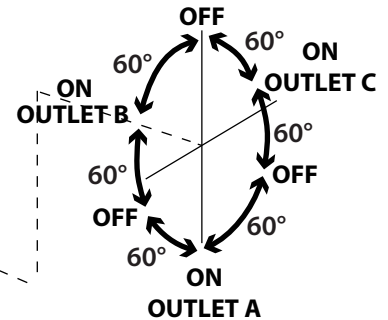
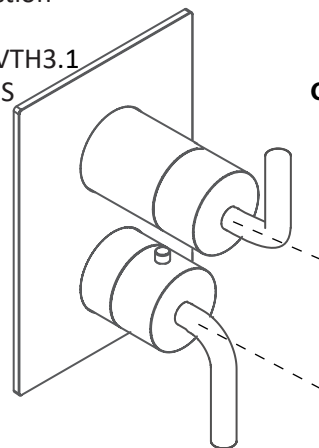
Installation:	built-in wall mount	
Exterior Dimensions:	W: 5 1/8" H: 7 1/4"	
Material:	solid brass construction with thermostatic cartridge and diverter ceramic cartridge with 3-way out	
Water use:	7.1 GPM (43.5 PSI)	
Finishes:	PS - polished brass	PN - polished nickel
	51 - brushed brass	CR - polished chrome
	BG - brushed gold	BK - black chrome
	PB - polished bronze	GM - gun metal
	NI - brushed nickel	TN - titanium
	BB - brushed bronze	44 - matte black
Fittings included:	15TH3.C.S non-sharing diverter valve: # VTH3.1 - rough-in with non-sharing diverter and trim # 15TH3.C.S-A 15TH3S.C.S sharing diverter valve: # VTH3S - rough-in with sharing diverter and trim # 15TH3S.C.S-A	
Tile opening max size:	W: 4 3/8" H: 5 3/4"	



Features:

- unibody thermostatic valve with 3-way diverter and OFF function
- lever handles and rectangular backplate
- non-sharing 3-way diverter valve with 360° rotating angle # VTH3.1
- sharing 3-way diverter valve with 360° rotating angle # VTH3S
- 3/4" NPT water in and 1/2" OUT connections
- anti-scald protection & temperature regulation
- water temperature set to 100°F
- screwdriver service stops
- separate check valves with filters for easy servicing
- finished wall must be flush with mudguard as marked
- 1 1/8" extension kit available

NON-SHARING



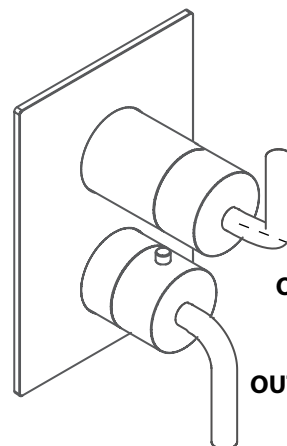
Codes + Standards:

- Meets and exceeds applicable national codes and standards
 - ASME A112.18.1/CSA B125.1
 - ASSE 1016/ASME A112.1016/CSA B125.16
 - CAL-Green compliant (non-sharing valves)

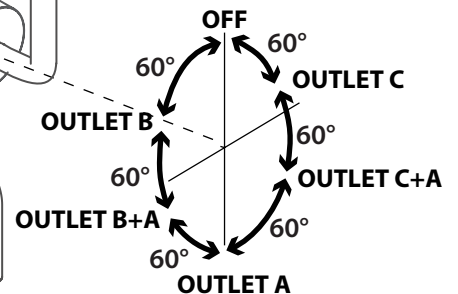
ADA compliant when installed to specific requirements of this regulation

Recommended Items:

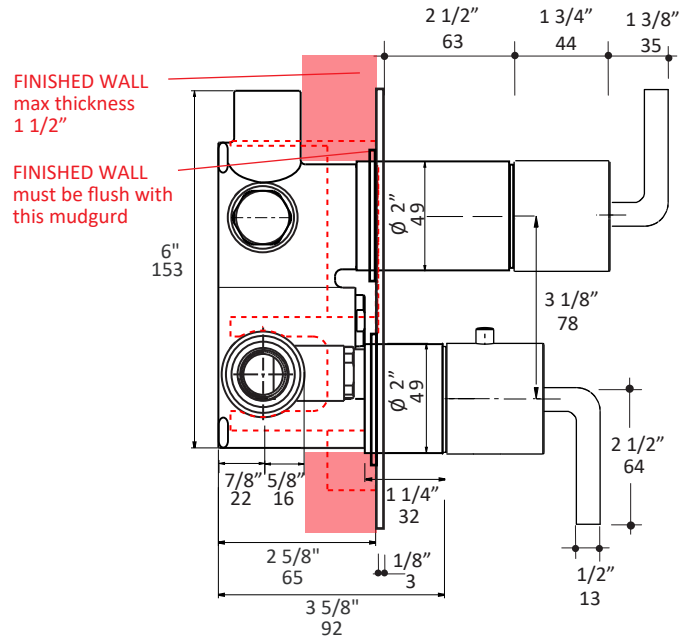
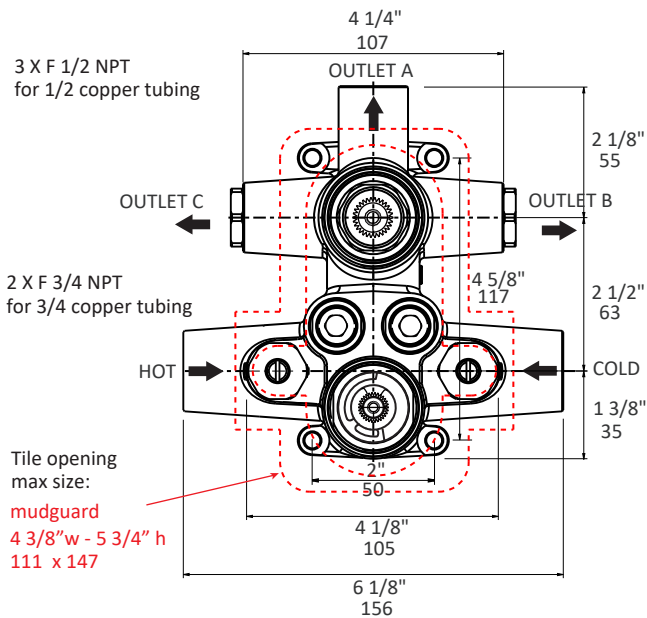
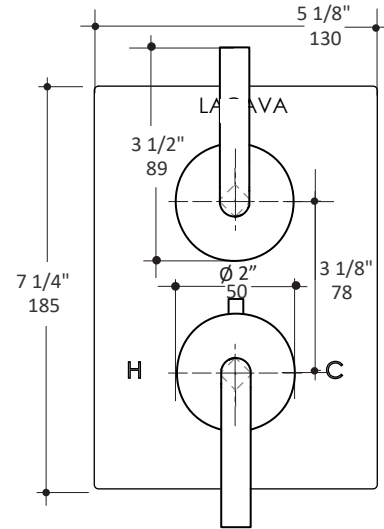
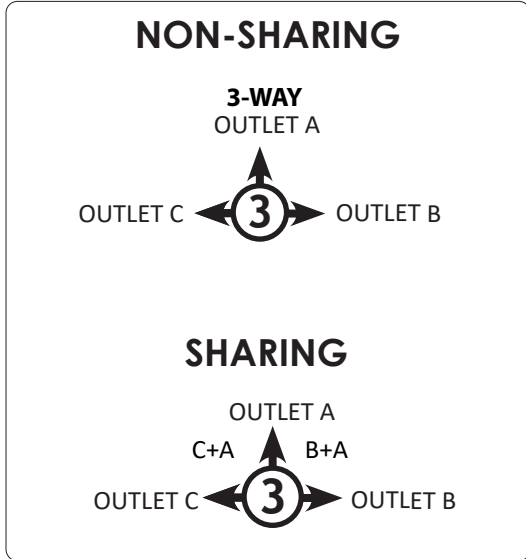
- Replacement parts:
 - VD3-C- diverter cartridge, non-sharing
 - VD3S-C- diverter cartridge, sharing
 - R039 thermostatic cartridge
 - VTH3.1-EX 1 1/8" extension kit



SHARING



LACAVA reserves the right to revise any dimension or information on this sheet without notice. Dimensions are nominal and may vary within an industry accepted tolerance of 1/4". Drawings provided herein are meant to give the user an idea of the product and are not made to scale. Location of plumbing is meant for reference, your specific application may vary. Revised: 4/28/2026



LACAVA reserves the right to revise any dimension or information on this sheet without notice. Dimensions are nominal and may vary within an industry accepted tolerance of 1/4". Drawings provided herein are meant to give the user an idea of the product and are not made to scale. Location of plumbing is meant for reference, your specific application may vary.
Revised: 07/26/2024