

### Specifications:

<b>Installation:</b>	built-in wall mount
<b>Exterior Dimensions:</b>	Ø 7 1/4"
<b>Material:</b>	solid brass construction with progressive ceramic cartridge and 2-way diverter cartridge
<b>Water use:</b>	5.0 GPM (43.5 PSI)
<b>Finishes:</b>	CR - polished chrome PN - polished nickel NI - brushed nickel BG - brushed gold 44 - matte black
<b>Fittings included:</b>	15PBP2.L.R non-sharing diverter valve: # VPBP2 - rough-in with non-sharing diverter and trim # 15PBP2.L.R-A 15PBP2S.L.R sharing diverter valve: # VPBP2S - rough-in with sharing diverter and trim # 15PBP2S.L.R-A
<b>Tile opening max size:</b>	W: 4" H: 5 3/4"

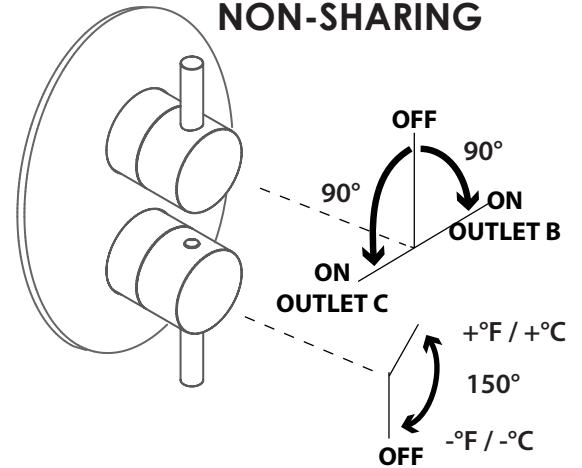


### Features:

- unibody pressure balancing progressive valve with 2-way diverter and OFF function
- trim sold separately
- lever handles and round backplate
- non-sharing 2-way diverter valve with 180° rotating angle # VPBP2
- sharing 2-way diverter valve with 360° rotating angle # VPBP2S
- anti-scald protection & temperature regulation for flow rates as low as 1.75 GPM
- screwdriver service stops
- finished wall must be flush with mudguard as marked
- 1/2" Male NPT inlets & outlets, optional sweat connection
- 1" extension kit available



#### NON-SHARING



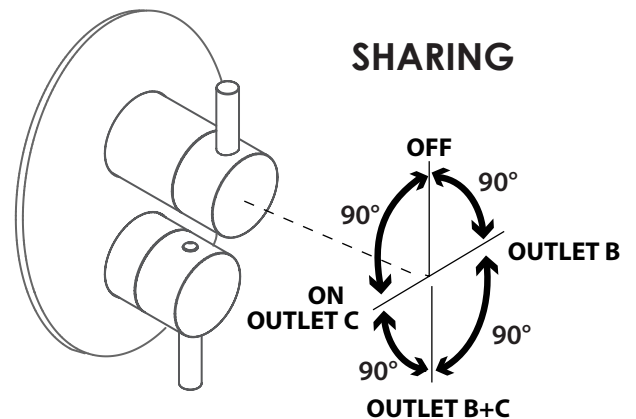
### Codes + Standards:

- Meets and exceeds applicable national codes
  - ASME A112.18.1/CSA B125.1
  - ASSE 1016/ASME A112.1016/CSA B125.16
- CAL-Green compliant (non-sharing valves)

**ADA** compliant when installed to specific requirements of this regulation

### Recommended Items:

- Replacement parts:
  - VPBP-C ceramic cartridge
  - VD2-C- diverter cartridge, non-sharing
  - VD2S-C- diverter cartridge, sharing
  - VPBP1-2-EX 1" extension kit for non-sharing valve
  - VPBP3-EX 1" extension kit for sharing valve



LACAVA reserves the right to revise any dimension or information on this sheet without notice. Dimensions are nominal and may vary within an industry accepted tolerance of 1/4". Drawings provided herein are meant to give the user an idea of the product and are not made to scale. Location of plumbing is meant for reference, your specific application may vary.

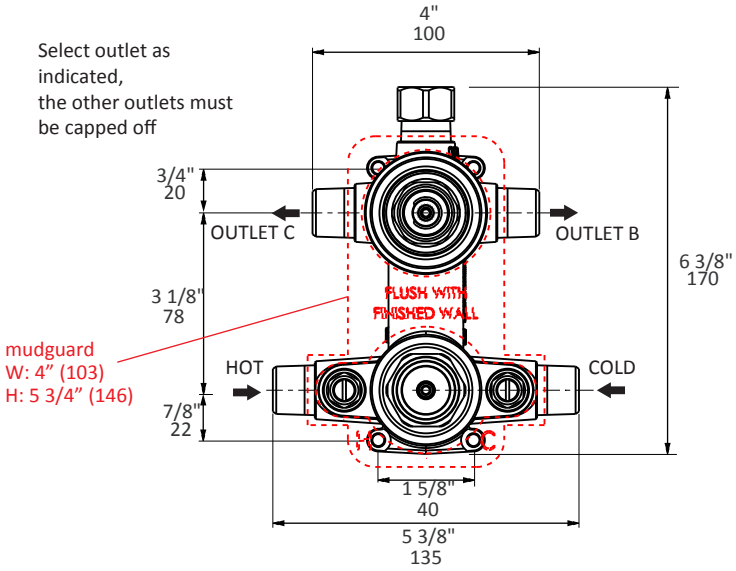
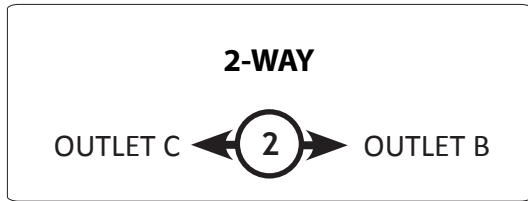
Revised: 07/15/2024

# LACAVA

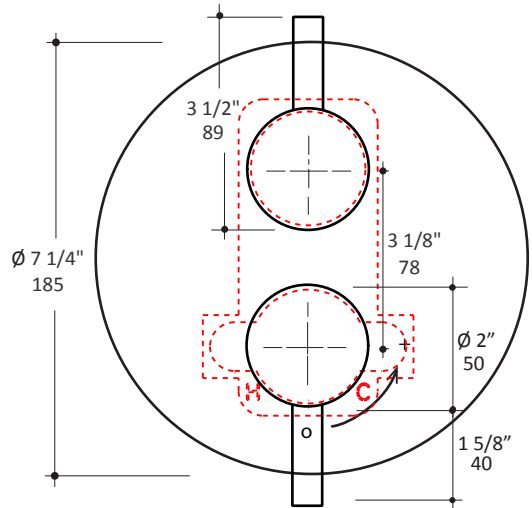
# CIGNO

built-in pressure balanced progressive mixer  
w/2-way diverter

## 15PBP2.L.R, 15PBP2S.L.R

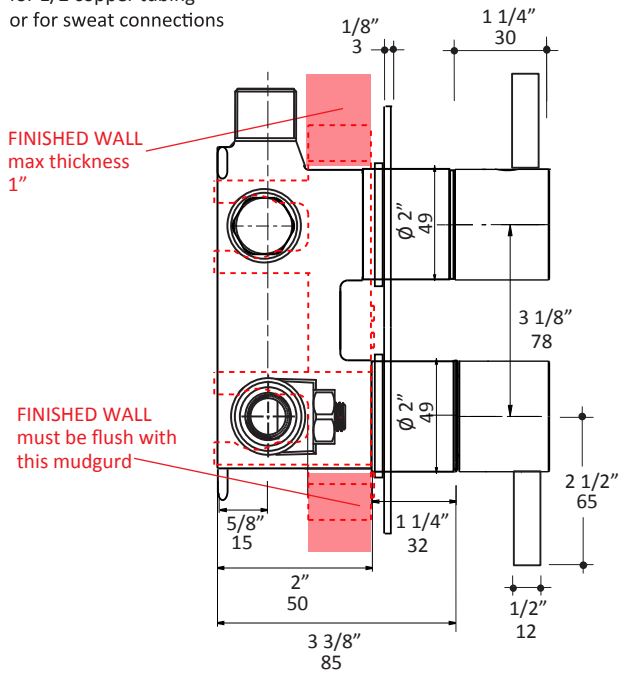


Tile opening max size: 4"W x 5 3/4"H

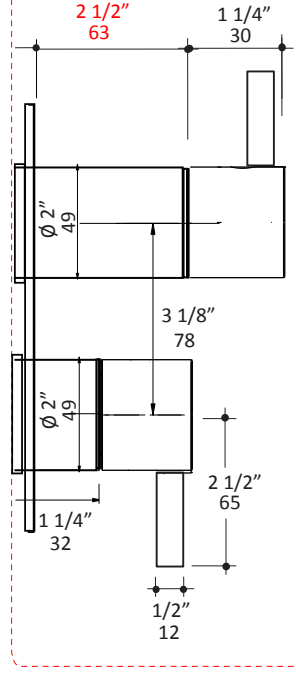


5 X M 1/2 NPT  
for 1/2 copper tubing  
or for sweat connections

### NON-SHARING



### SHARING



LACAVA reserves the right to revise any dimension or information on this sheet without notice. Dimensions are nominal and may vary within an industry accepted tolerance of 1/4". Drawings provided herein are meant to give the user an idea of the product and are not made to scale. Location of plumbing is meant for reference, your specific application may vary. Revised: 07/15/2024