

LACAVA

CIGNO deck-mount three-hole faucet 1583.4

Specifications:

Installation:	deck mount 3-hole, two levers
Exterior Dimensions:	H: 8 1/4" SPOUT: 5 1/4"
Material:	solid brass construction
Water use:	1.2 GPM
Pop-up:	no
Finishes:	CR - polished chrome PN - polished nickel NI - brushed nickel BG - brushed gold 44 - matte black



Cutout Size:	Ø 1 3/8"
Accessories included:	24" flexible hot/cold water supply lines and #7100-16OF European click-clack drain

Features:

- Deck-mount three hole faucet with goose-neck spout and two lever handles
- Brass construction with hot and cold ceramic disc cartridges
- Complements the Cigno Collection
- Includes flexible supply lines and pop-up drain assembly

Codes + Standards:

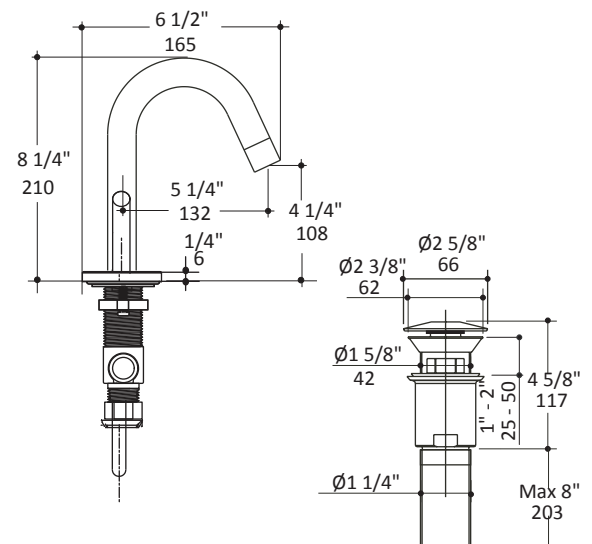
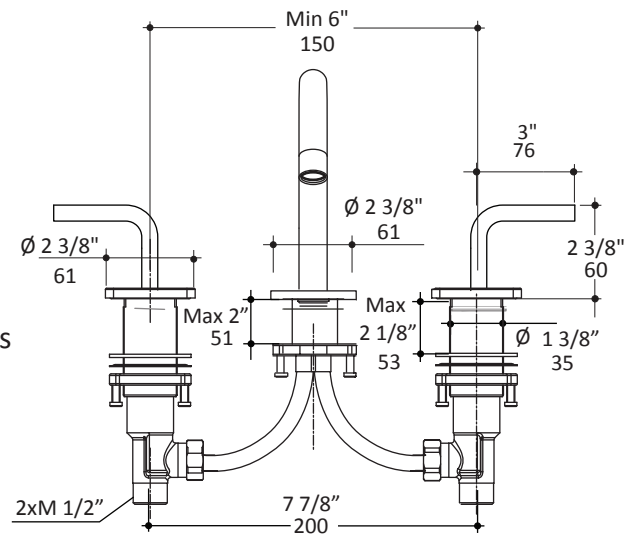
- Meets and exceeds applicable national codes and standards
 - ASME A112.18.1/CSA B125.1
 - NSF/ANSI/CAN61
 - NSF/ANSI/CAN372
 - CalGreen/CEC
- Compliant with California AB-100



ADA compliant when installed to specific requirements of this regulation

Recommended Items:

- Replacement parts:
 - R027-28 - Replacement ceramic disc cartridge pair
 - 1582-AERATOR - Replacement aerator cartridge
- European drain with overflow
 - 7100-16OF Click-clack drain
 - 7100-13OF stationary drain



LACAVA reserves the right to revise any dimension or information on this sheet without notice. Dimensions are nominal and may vary within an industry accepted tolerance of 1/4\". Drawings provided herein are meant to give the user an idea of the product and are not made to scale. Location of plumbing is meant for reference, your specific application may vary.

Revised: 02/15/2024