

### Specifications:

<b>Installation:</b>	deck mount 1-hole, single lever
<b>Exterior Dimensions:</b>	H: 12 3/8" SPOUT: 5 1/4"
<b>Material:</b>	solid brass construction
<b>Water use:</b>	1.2 GPM
<b>Pop-up:</b>	yes
<b>Finishes:</b>	CR - polished chrome PN - polished nickel NI - brushed nickel BG - brushed gold 44 - matte black
<b>Cutout Size:</b>	Ø 1 3/8"
<b>Accessories included:</b>	24" flexible hot/cold water supply lines, pop-up drain



### Features:

- Deck-mount single hole faucet with goose-neck spout and lever handle
- Brass construction with single ceramic disc cartridge
- Complements the Cigno Collection
- Includes flexible supply lines and pop-up drain assembly

### Codes + Standards:

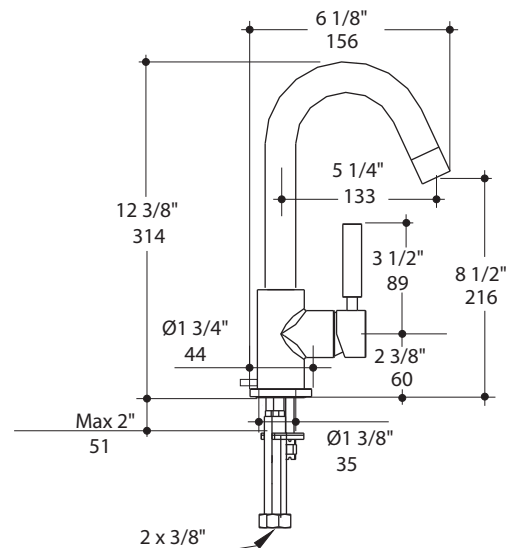
- Meets and exceeds applicable national codes and standards
  - ASME A112.18.1/CSA B125.1
  - NSF/ANSI/CAN61
  - NSF/ANSI/CAN372
  - CalGreen/CEC
- Compliant with California AB-100

**ADA** compliant when installed to specific requirements of this regulation



### Recommended Items:

- Replacement parts:
  - R154 replacement ceramic disc cartridge
  - R1514-AER - replacement aerator cartridge
- European drain with overflow
  - 7100-16OF click-clack drain
  - 7100-13OF grid drain
  - 7100-12 pop-up drain



LACAVA reserves the right to revise any dimension or information on this sheet without notice. Dimensions are nominal and may vary within an industry accepted tolerance of 1/4". Drawings provided herein are meant to give the user an idea of the product and are not made to scale. Location of plumbing is meant for reference, your specific application may vary.

Revised: 01/25/2024