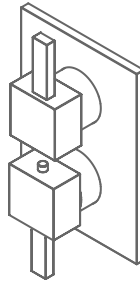


# LACAVA



## KUBISTA built-in thermostatic valve with volume valve 14TH1.L.S

### Specifications:

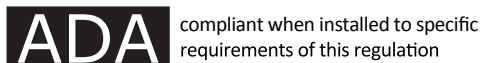
<b>Installation:</b>	built-in wall mount
<b>Exterior Dimensions:</b>	W: 5 1/8" H: 7 1/4"
<b>Material:</b>	solid brass construction with thermostatic cartridge, and 90° ceramic cartridge
<b>Water use:</b>	7.1 GPM (43.5 PSI)
<b>Finishes:</b>	CR - polished chrome NI - brushed nickel
<b>Fittings included:</b>	Rough-in # VTH1.1 and trim # 14TH1.L.S-A

### Features:

- unibody thermostatic valve with volume valve
- rectangular backplate
- lever handles
- 3/4" NPT water IN and 1/2" OUT connections (outlet A)
- anti-scald protection & temperature regulation
- water temperature set to 100°F
- volume valve with 90° rotating angle
- screwdriver service stops
- separate check valves with filters for easy servicing
- finished wall must be flush with mudguard as marked
- 1 1/8" extension kit available

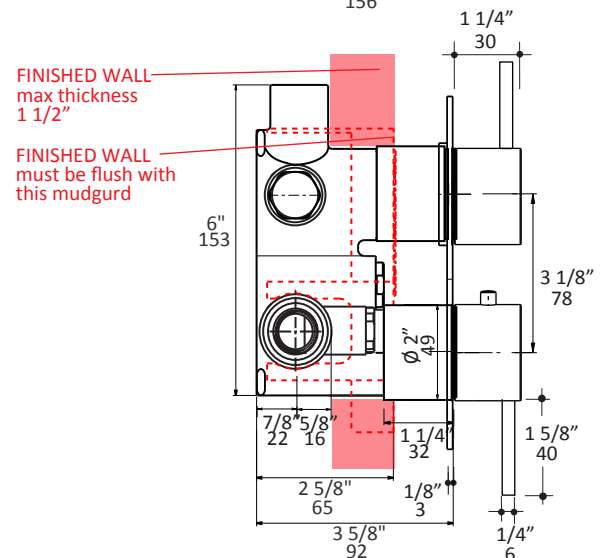
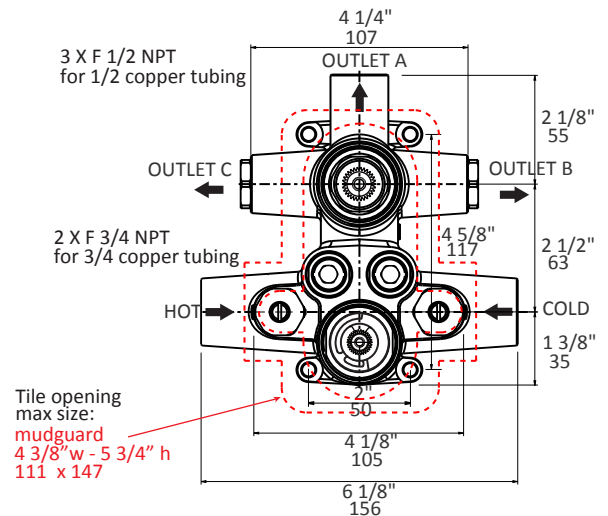
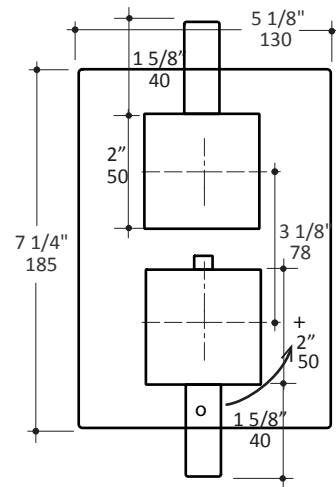
### Codes + Standards:

- Meets and exceeds applicable national codes and standards
  - ASME A112.18.1/CSA B125.1
  - ASSE 1016/ASME A112.1016/CSA B125.16



### Recommended Items:

- Replacement parts:
  - VTH1.1 rough-in
  - 14TH1.L.S-A trim
  - R039 thermostatic cartridge
  - VD1-C ceramic cartridge
  - VTH1.1-EX 1 1/8" extension kit



LACAVA reserves the right to revise any dimension or information on this sheet without notice. Dimensions are nominal and may vary within an industry accepted tolerance of 1/4". Drawings provided herein are meant to give the user an idea of the product and are not made to scale. Location of plumbing is meant for reference, your specific application may vary. Revised: 02/19/2024