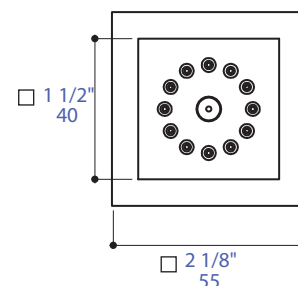


Features:

- Wall-mount tilting square body spray with escutcheon
- Fixed jet
- Brass construction with rubber nozzles
- Weight: 1.1 lbs
- Flow rate 2 GPM at 43.5 psi

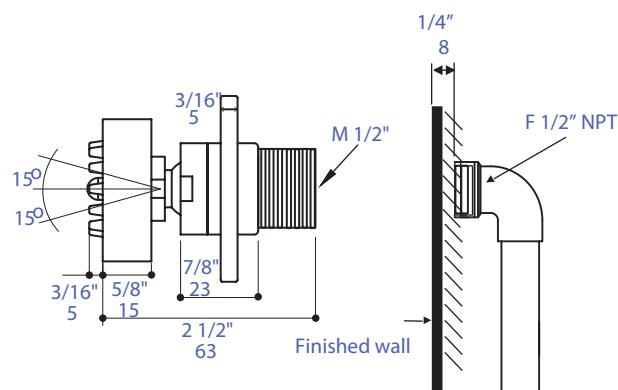
Finish Options:

- CR - Polished Chrome
- NI - Brushed Nickel



Codes + Standards:

- Meets and exceeds applicable national codes
- Meets Cal-green requirement
- Complies with CEC standard



Recommended Accessories:

- Item #41PB1.L.O: Built-in pressure balancing mixer with lever handle and oblong backplate

LACAVA reserves the right to revise any dimension or information on this sheet without notice. Dimensions are nominal and may vary within an industry accepted tolerance of 1/4". Drawings provided herein are meant to give the user an idea of the product and are not made to scale. Location of plumbing is meant for reference, your specific application may vary.

Revised: 6/22/2020