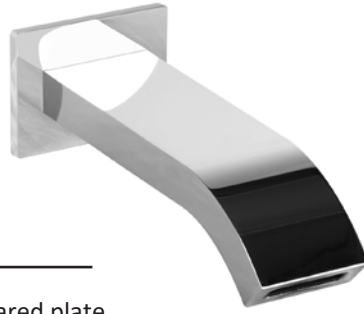


LACAVA

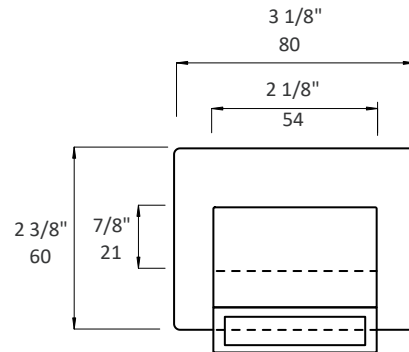


KUBISTA

tub spout
1455.1

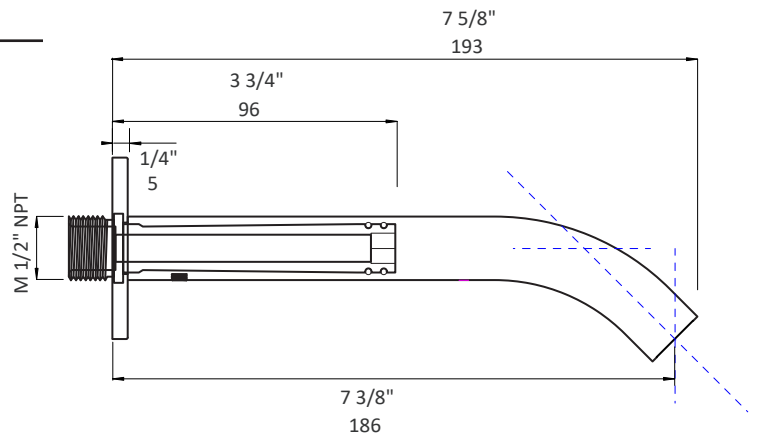
Specifications:

Installation:	wall mount spout with squared plate
Exterior Dimensions:	W: 3 1/8" D: 7 5/8" H: 2 3/8"
Material:	solid brass construction
Weight:	2.3 lbs
Connection IN:	M 1/2 NPT
Water flow rate:	6.5 GPM (43.5 PSI)
Finishes:	CR - polished chrome NI - brushed nickel



Features:

- wall-mount tub spout
- mixer valve sold separately
- easy adjustable installation



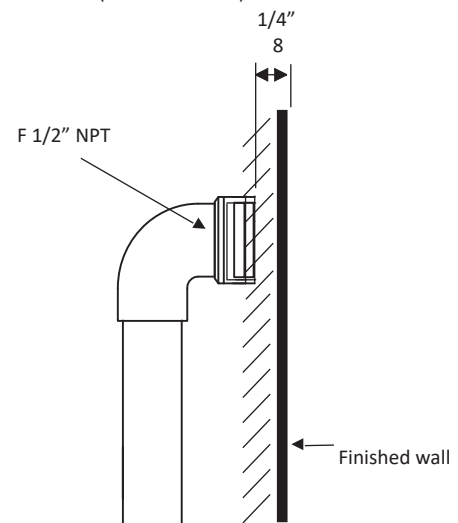
Codes + Standards:

- Meets and exceeds applicable national codes and standards

Recommended Items:

- 14PB1.L.S single lever pressure balanced mixer
- 14PB1.S.S single lever pressure balanced mixer

SUGGESTED ROUGH-IN INSTALLATION
(NOT PROVIDED)



LACAVA reserves the right to revise any dimension or information on this sheet without notice. Dimensions are nominal and may vary within an industry accepted tolerance of 1/4". Drawings provided herein are meant to give the user an idea of the product and are not made to scale. Location of plumbing is meant for reference, your specific application may vary.
Revised: 08/16/2019