

### Specifications:

<b>Installation:</b>	Floor standing 1-hole
<b>Exterior Dimensions:</b>	H: 46 1/2" SPOUT: 9 7/8"
<b>Material:</b>	Solid brass construction
<b>Finishes:</b>	CR - polished chrome
<b>Weight:</b>	8 lbs

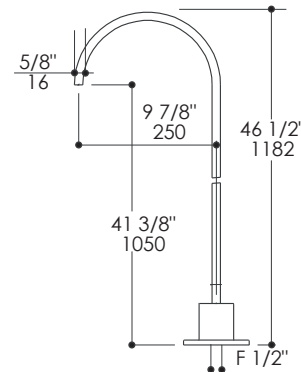


### Features:

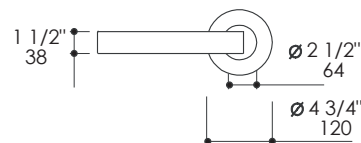
- Floor-standing single-hole tub spout with flange
- Brass construction
- Open spout features a natural water flow
- Mixer sold separately

### Codes + Standards:

- Meets and exceeds applicable national codes and standards



Top View



### Recommended Items:

- #12340.1: Built-in single-lever mixer
- #12340L: Built-in single-lever mixer

LACAVA reserves the right to revise any dimension or information on this sheet without notice. Dimensions are nominal and may vary within an industry accepted tolerance of 1/4". Drawings provided herein are meant to give the user an idea of the product and are not made to scale. Location of plumbing is meant for reference, your specific application may vary.

Revised: 10/26/2020